
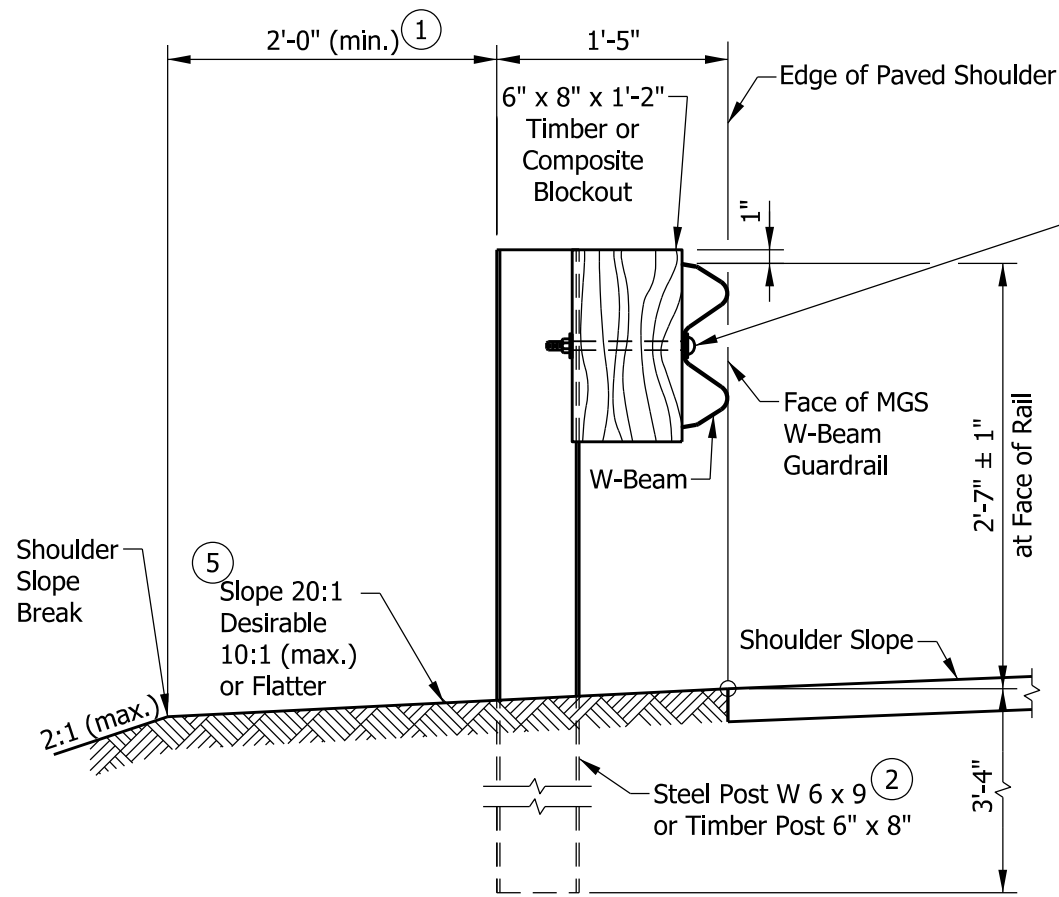


INDEX	
SHEET NO.	SUBJECT
1	Midwest Guardrail System Assembly Index and General Notes
2 - 5	Midwest Guardrail System Assembly
6 - 7	Midwest Guardrail System Assembly, Omitted Post
8 - 9	Midwest Guardrail System Assembly, Long-Span
10	Midwest Guardrail System Assembly, Structure Top-Mounted Post
11	Midwest Guardrail System Assembly, Guardrail Transition with Curb
12	Midwest Guardrail System Assembly, Guardrail Transition without Curb
13 - 15	Midwest Guardrail System Assembly, Guardrail Transition
16	Midwest Guardrail System Assembly, Height Transition
17 - 22	Midwest Guardrail System Assembly, Cable Terminal Anchor System
23	Midwest Guardrail System Assembly, Working Width

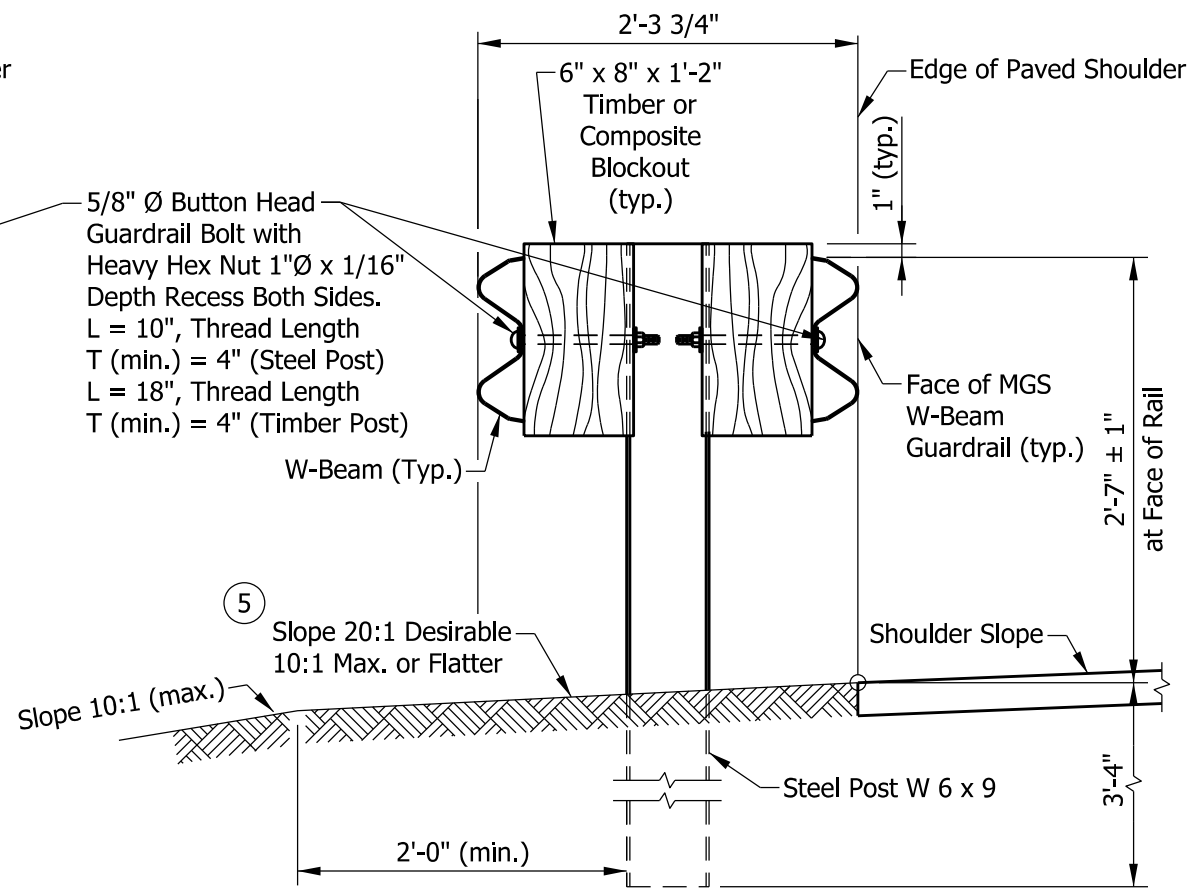
GENERAL NOTES:

1. The Midwest Guardrail System (MGS) is a steel or timber post w-beam guardrail semi-rigid longitudinal barrier system. The standard post length for MGS w-beam guardrail shall be 6 ft, unless noted otherwise.
2. MGS w-beam guardrail, omitted post, long-span, structure top-mount, guardrail transition, and cable terminal anchor are MASH TL-3 compliant.
3. Steel guardrail post W 6 x 8.5 may be substituted for W 6 x 9.

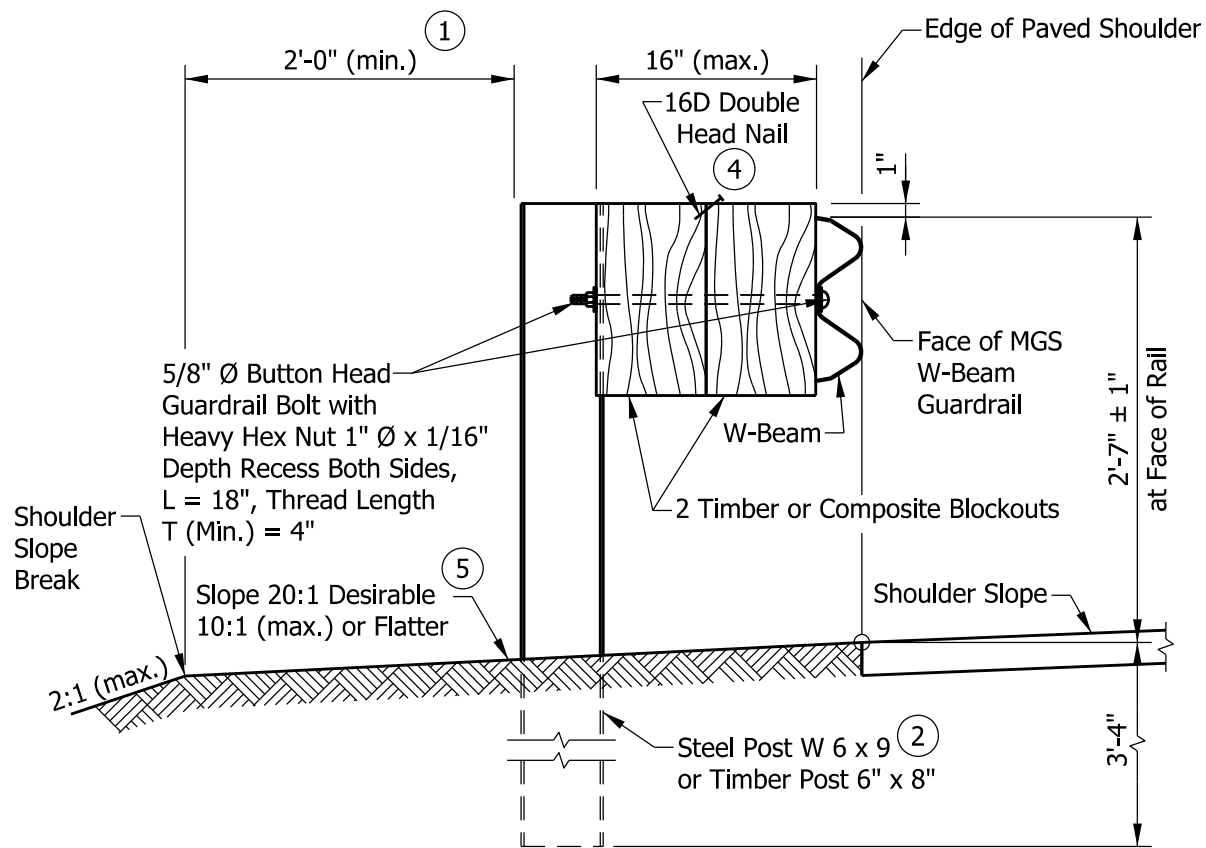
INDIANA DEPARTMENT OF TRANSPORTATION	
MIDWEST GUARDRAIL SYSTEM ASSEMBLY INDEX AND GENERAL NOTES	
SEPTEMBER 2018	
STANDARD DRAWING NO. E 601-MGSA-01	
	<i>/s/ Elizabeth W. Phillips</i> 03/20/18 DESIGN STANDARDS ENGINEER DATE
	<i>/s/ John Leckie</i> 04/25/18 CHIEF ENGINEER DATE



TYPICAL MGS W-BEAM INSTALLATION



TYPICAL DOUBLE-FACED MGS W-BEAM INSTALLATION



DETAIL FOR ALTERNATE BLOCKOUT DEPTH

NOTES:

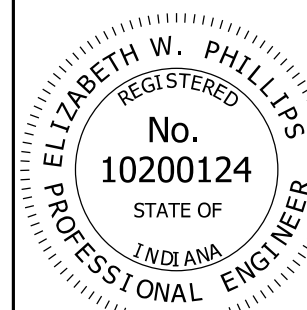
- ① Where the distance from back of post to shoulder slope break is less than 2 ft, the working width shall be adjusted. See Standard Drawing E 601-MGSA-23.
- ② Timber and steel posts shall not be intermixed. See Standard Drawing E 601-MGSA-04 for post details.
- ③ Blockouts of 12 in. or 16 in. depth may be utilized to increase the post offset. There is no limit to the number of posts that can have additional blockouts up to a 16 in. depth.
- ④ Where two timber blockouts are installed, one 16D galvanized double head nail shall be centered at the back of the blockout and driven into the adjacent blockout to limit rotation.
- ⑤ The post shall not be encased with asphalt, concrete, or riprap.

INDIANA DEPARTMENT OF TRANSPORTATION

MIDWEST GUARDRAIL SYSTEM
ASSEMBLY

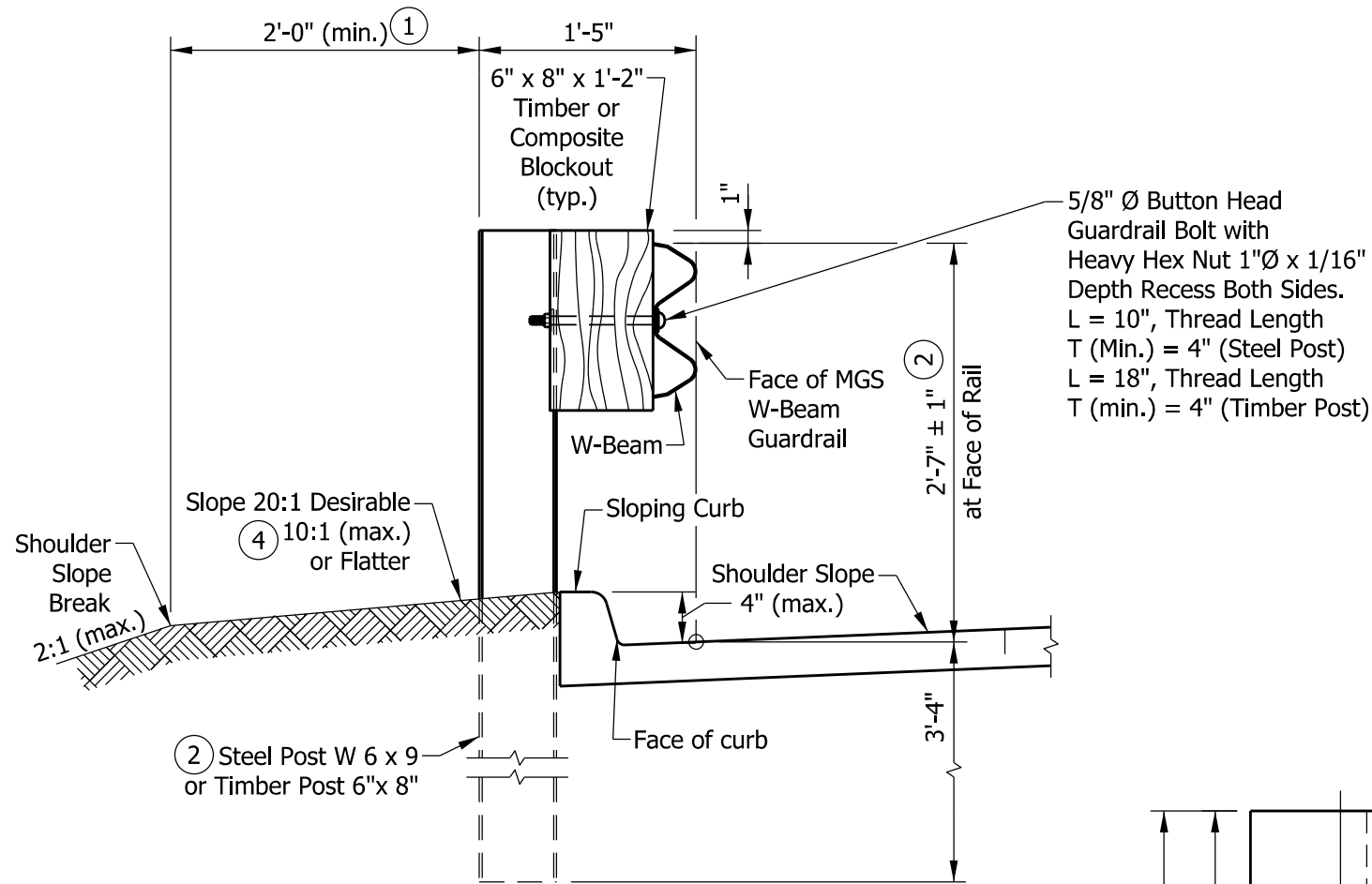
SEPTEMBER 2018

STANDARD DRAWING NO. E 601-MGSA-02

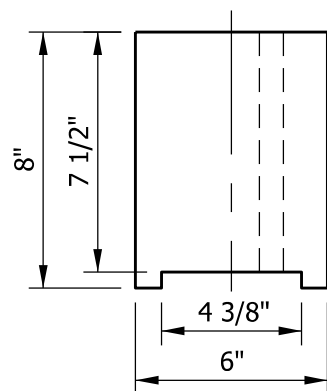


/s/ Elizabeth W. Phillips 03/20/18
DESIGN STANDARDS ENGINEER DATE

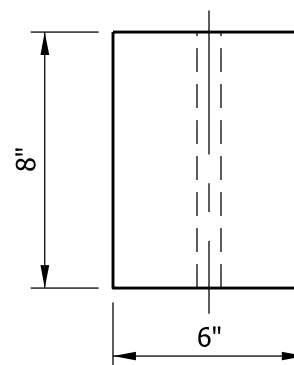
/s/ John Leckie 04/25/18
CHIEF ENGINEER DATE



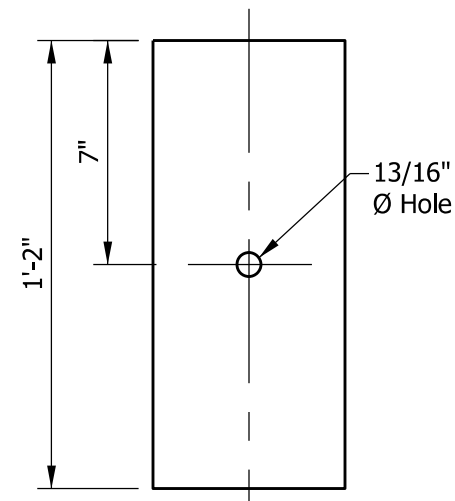
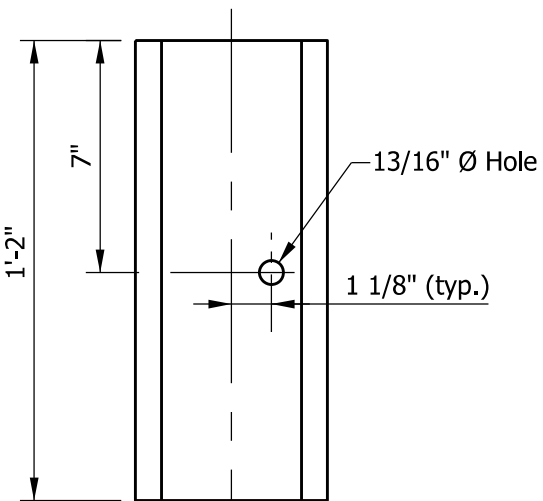
TYPICAL MGS W-BEAM INSTALLATION AT CURB



TIMBER OR COMPOSITE BLOCKOUT WITH STEEL POST



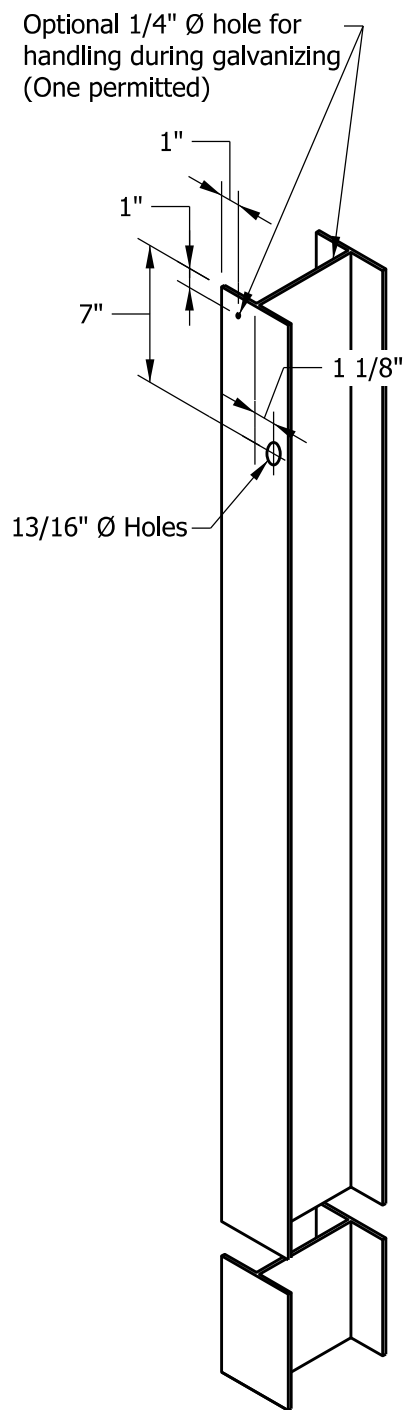
TIMBER BLOCKOUT WITH TIMBER POST



NOTES:

- ① Where the distance from back of post to shoulder slope break is less than 2 ft, the working width shall be adjusted. See Standard Drawing E 601-MGSA-23.
- ② Timber and steel posts shall not be intermixed. See Standard Drawing E 601-MGSA-04 for post details.
- 3. Blockouts of 12 in. or 16 in. depth may be utilized to increase the post offset. There is no limit to the number of posts that can have additional blockouts up to a 16 in. depth.
- ④ The post shall not be encased with asphalt, concrete, or riprap.

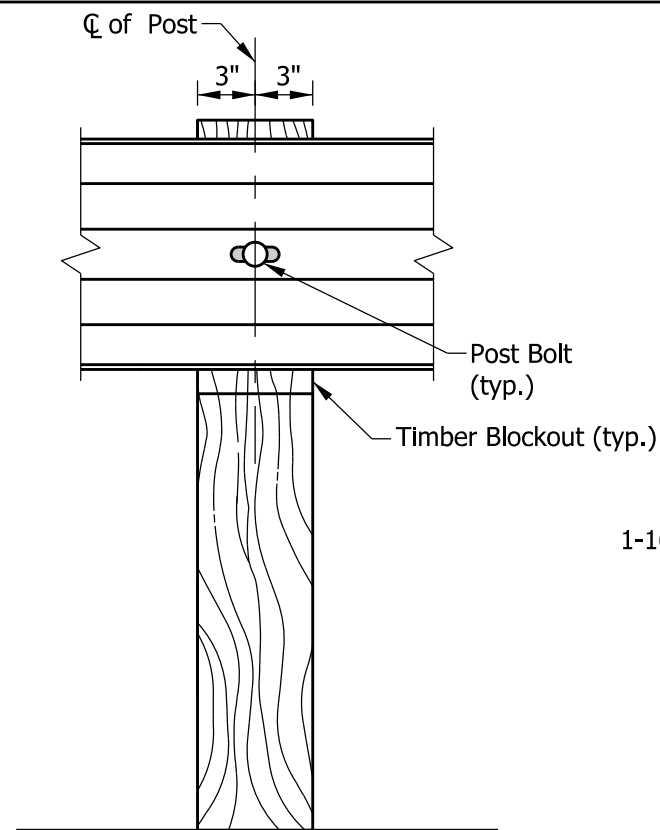
INDIANA DEPARTMENT OF TRANSPORTATION									
MIDWEST GUARDRAIL SYSTEM ASSEMBLY									
SEPTEMBER 2018									
STANDARD DRAWING NO. E 601-MGSA-03									
	<table style="width: 100%; border-collapse: collapse;"> <tr> <td style="width: 70%; border-bottom: 1px solid black;">/s/ Elizabeth W. Phillips</td> <td style="width: 30%; border-bottom: 1px solid black;">03/20/18</td> </tr> <tr> <td style="font-size: small;">DESIGN STANDARDS ENGINEER</td> <td style="font-size: small;">DATE</td> </tr> <tr> <td style="border-bottom: 1px solid black;">/s/ John Leckie</td> <td style="border-bottom: 1px solid black;">04/25/18</td> </tr> <tr> <td style="font-size: small;">CHIEF ENGINEER</td> <td style="font-size: small;">DATE</td> </tr> </table>	/s/ Elizabeth W. Phillips	03/20/18	DESIGN STANDARDS ENGINEER	DATE	/s/ John Leckie	04/25/18	CHIEF ENGINEER	DATE
/s/ Elizabeth W. Phillips	03/20/18								
DESIGN STANDARDS ENGINEER	DATE								
/s/ John Leckie	04/25/18								
CHIEF ENGINEER	DATE								



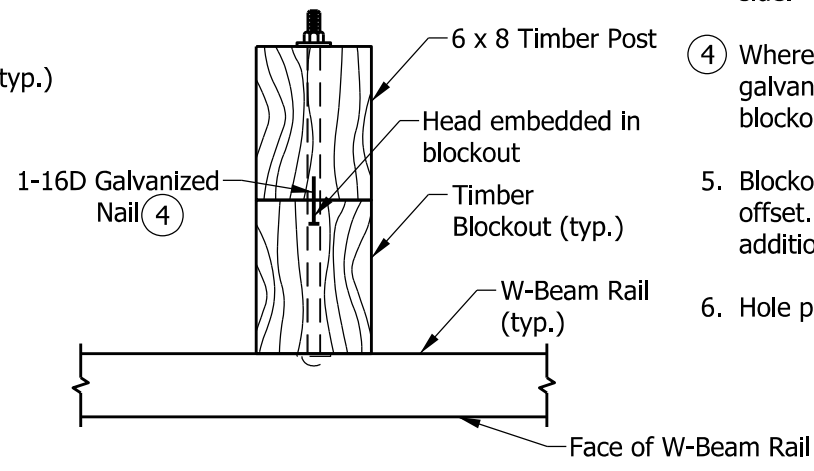
**STEEL POST &
HOLE PUNCHING DETAIL**
(W 6 X 9) (2)



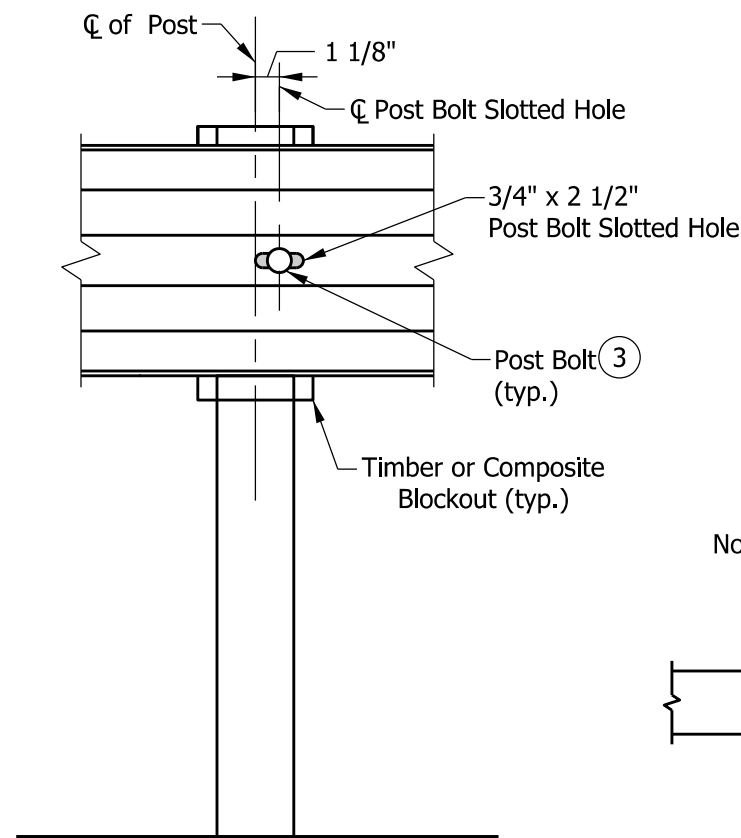
TIMBER POST
(6" X 8") NOMINAL



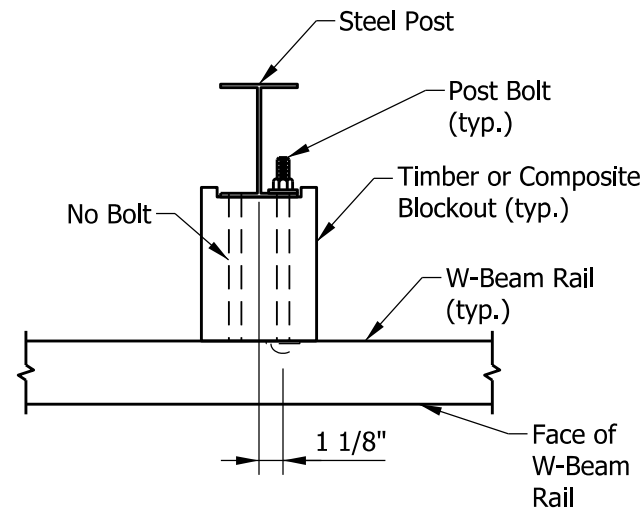
FRONT VIEW (TIMBER POST)



PLAN VIEW (TIMBER POST)



FRONT VIEW (STEEL POST)



PLAN VIEW (STEEL POST)

NOTES:

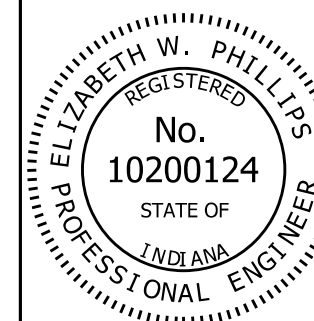
1. Timber or steel posts may be used. Timber and steel posts shall not be intermixed.
2. Steel guardrail post W 6 x 8.5 may be substituted for W 6 x 9.
3. Steel posts shall be installed with bolt holes on approaching traffic side.
4. Where a timber post and a timber blockout are installed, one 16D galvanized double head nail shall be centered at the back of the blockout and driven into the adjacent post to limit rotation.
5. Blockouts of 12 in. or 16 in. depth may be utilized to increase the post offset. There is no limit to the number of posts that can have additional blockouts up to a 16 in. depth.
6. Hole pattern for posts may be drilled in back flange.

INDIANA DEPARTMENT OF TRANSPORTATION

MIDWEST GUARDRAIL SYSTEM
ASSEMBLY

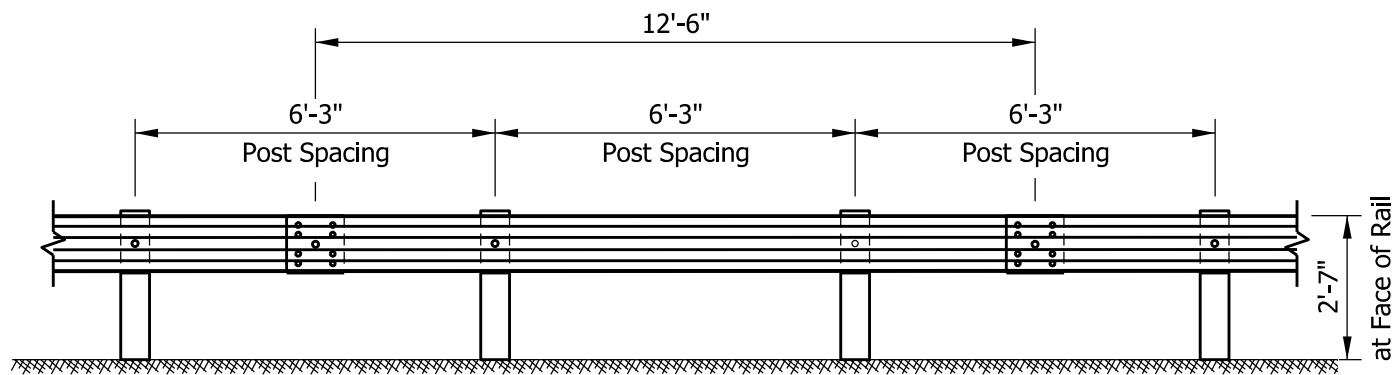
SEPTEMBER 2018

STANDARD DRAWING NO. E 601-MGSA-04



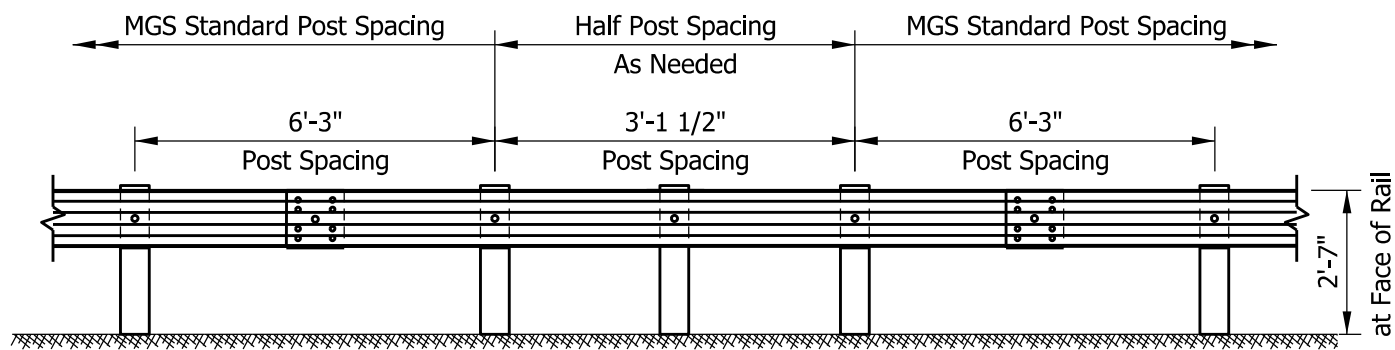
/s/ Elizabeth W. Phillips 03/20/18
DESIGN STANDARDS ENGINEER DATE

/s/ John Leckie 04/25/18
CHIEF ENGINEER DATE



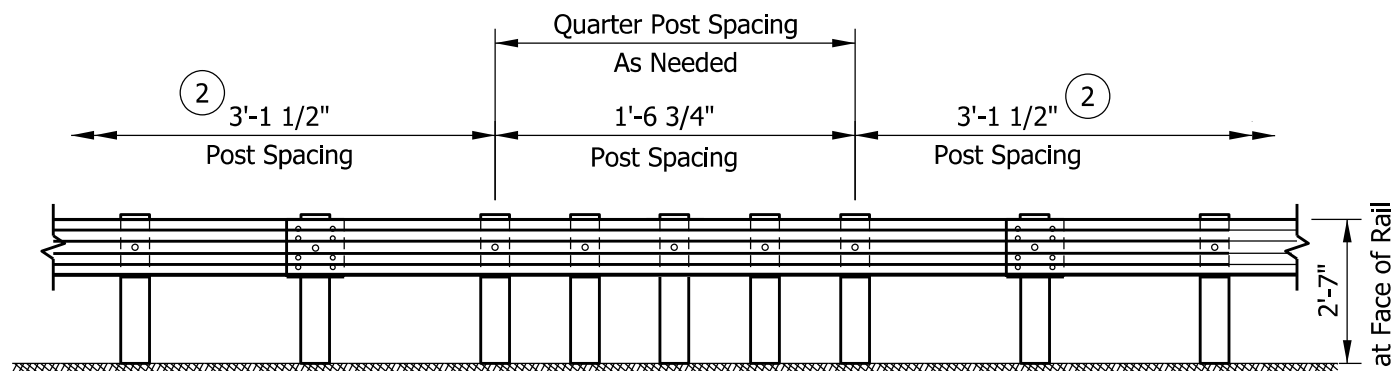
ELEVATION VIEW

MGS W-BEAM STANDARD POST SPACING, 6'-3"



ELEVATION VIEW

MGS W-BEAM HALF POST SPACING, 3'-1 1/2"

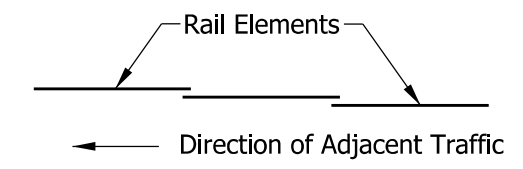


ELEVATION VIEW

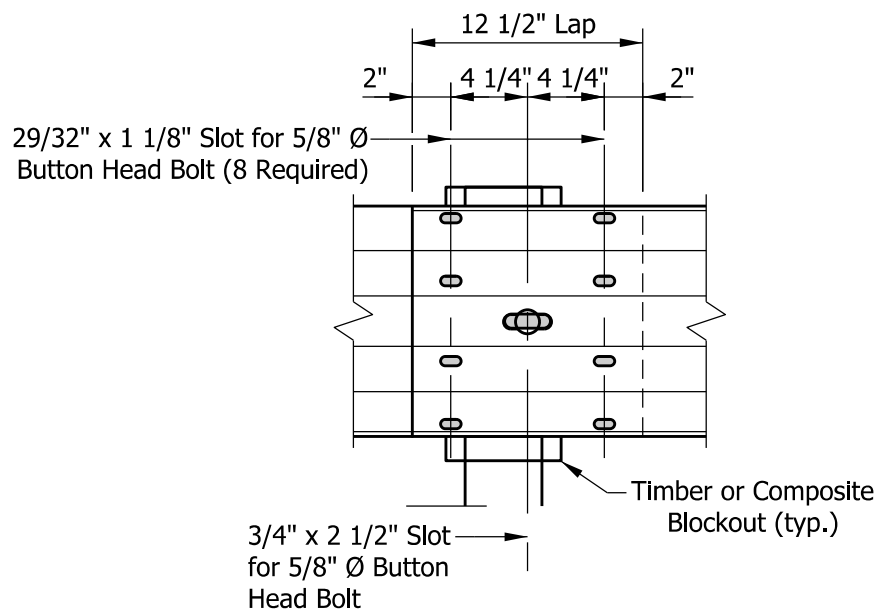
MGS W-BEAM QUARTER POST SPACING, 1'-6 3/4"

NOTES:

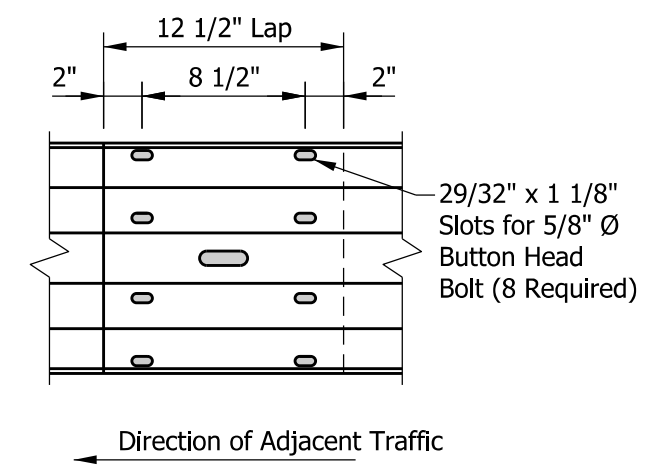
1. Splice locations shall be as shown.
- ② A minimum of 25 ft of MGS w-beam half post spacing shall be installed on the approach and departure ends of the quarter post spacing.



LAPPING PROCEDURE

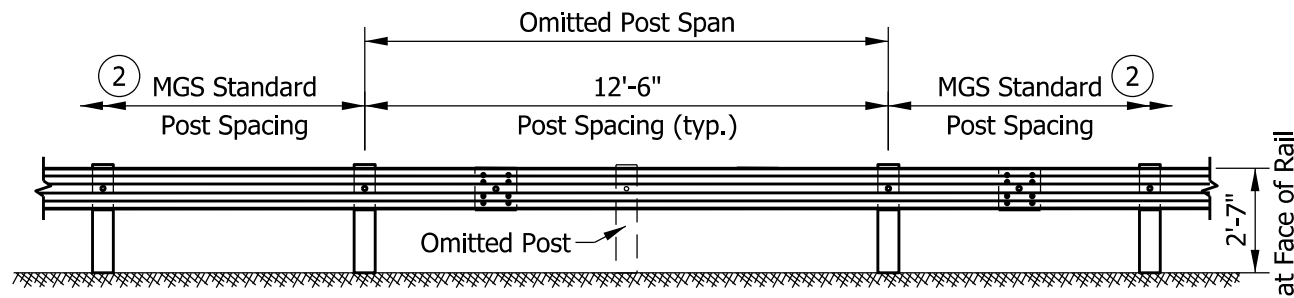


POST SPLICE DETAIL



MID-SPAN SPLICE DETAIL

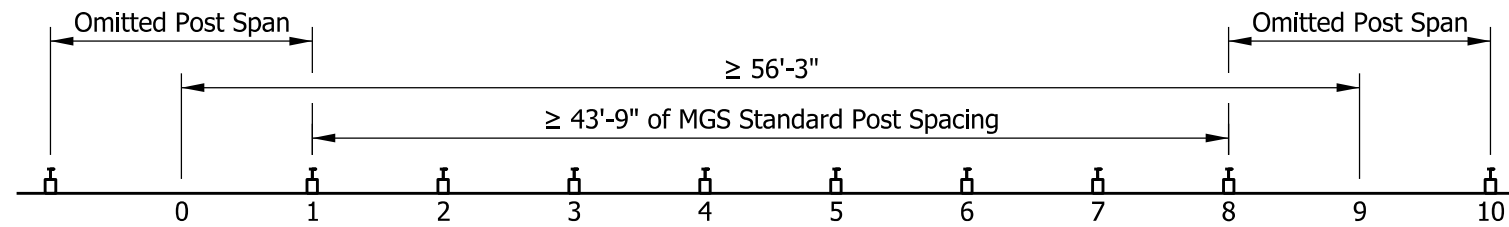
INDIANA DEPARTMENT OF TRANSPORTATION	
MIDWEST GUARDRAIL SYSTEM ASSEMBLY	
SEPTEMBER 2018	
STANDARD DRAWING NO.	E 601-MGSA-05
	/s/ Elizabeth W. Phillips 03/20/18 DESIGN STANDARDS ENGINEER DATE
	/s/ John Leckie 04/25/18 CHIEF ENGINEER DATE



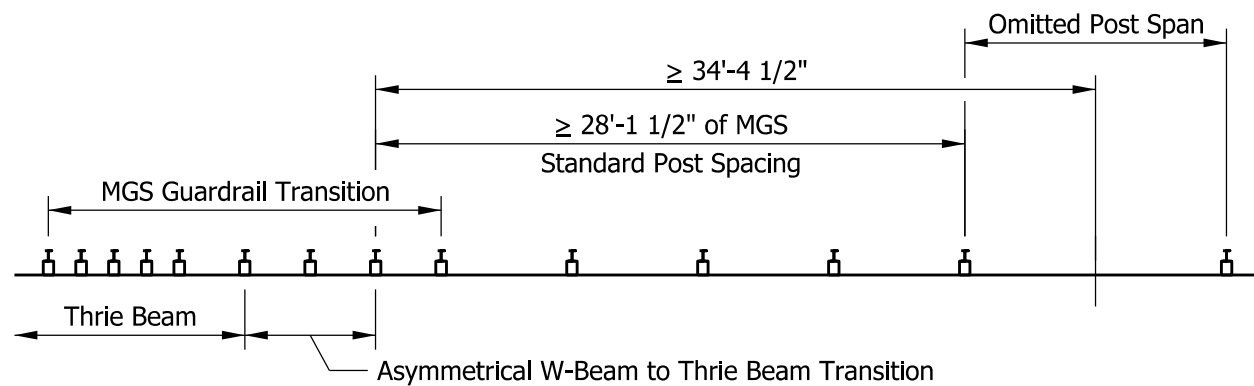
ELEVATION VIEW
MGS W-BEAM OMITTED POST

NOTES:

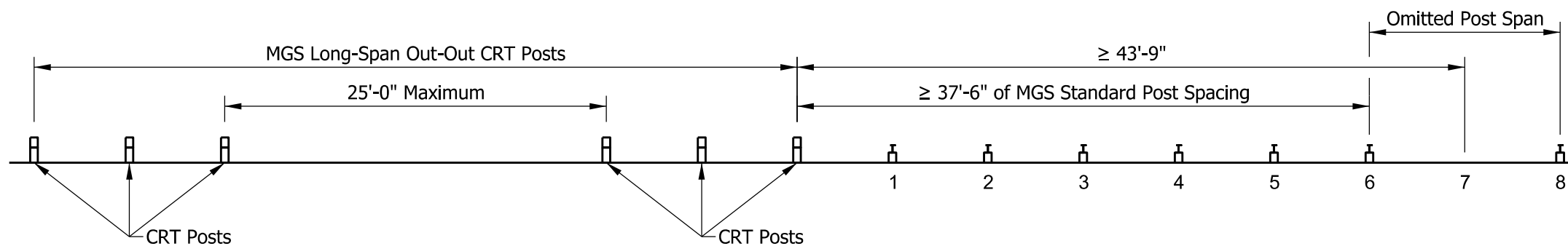
1. A single post may be omitted within an MGS w-beam guardrail run.
- ② Where a post is omitted, a minimum length of MGS standard post spacing guardrail shall be installed as shown.
3. An MGS w-beam guardrail run containing an omitted post shall not be installed adjacent to curb.



PLAN VIEW
MINIMUM DISTANCE BETWEEN OMITTED POSTS



PLAN VIEW
MINIMUM DISTANCE BETWEEN OMITTED POST AND MGS GUARDRAIL TRANSITION

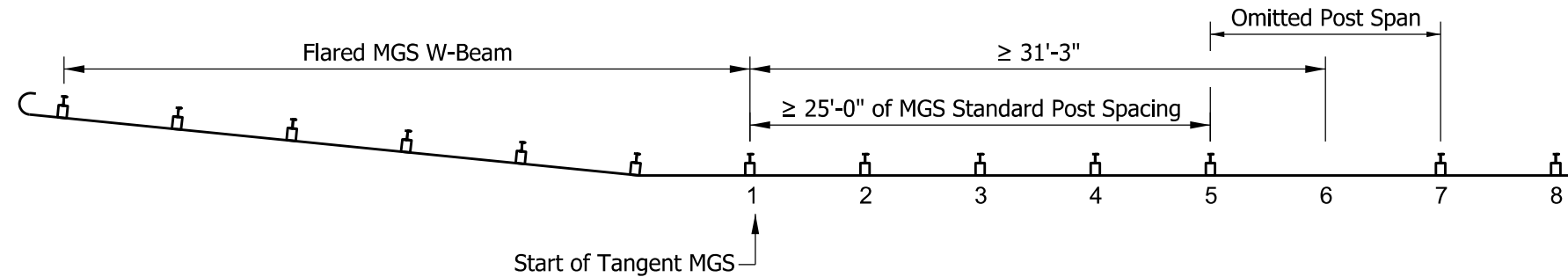


PLAN VIEW
MINIMUM DISTANCE BETWEEN OMITTED POST AND MGS LONG-SPAN OUTER CRT POST

INDIANA DEPARTMENT OF TRANSPORTATION									
MIDWEST GUARDRAIL SYSTEM ASSEMBLY, OMITTED POST									
SEPTEMBER 2018									
STANDARD DRAWING NO. E 601-MGSA-06									
	<table style="width: 100%; border-collapse: collapse;"> <tr> <td style="width: 80%; border-bottom: 1px solid black;">/s/ Elizabeth W. Phillips</td> <td style="width: 20%; border-bottom: 1px solid black;">03/20/18</td> </tr> <tr> <td style="font-size: small;">DESIGN STANDARDS ENGINEER</td> <td style="font-size: small;">DATE</td> </tr> <tr> <td style="border-bottom: 1px solid black;">/s/ John Leckie</td> <td style="border-bottom: 1px solid black;">04/25/18</td> </tr> <tr> <td style="font-size: small;">CHIEF ENGINEER</td> <td style="font-size: small;">DATE</td> </tr> </table>	/s/ Elizabeth W. Phillips	03/20/18	DESIGN STANDARDS ENGINEER	DATE	/s/ John Leckie	04/25/18	CHIEF ENGINEER	DATE
/s/ Elizabeth W. Phillips	03/20/18								
DESIGN STANDARDS ENGINEER	DATE								
/s/ John Leckie	04/25/18								
CHIEF ENGINEER	DATE								

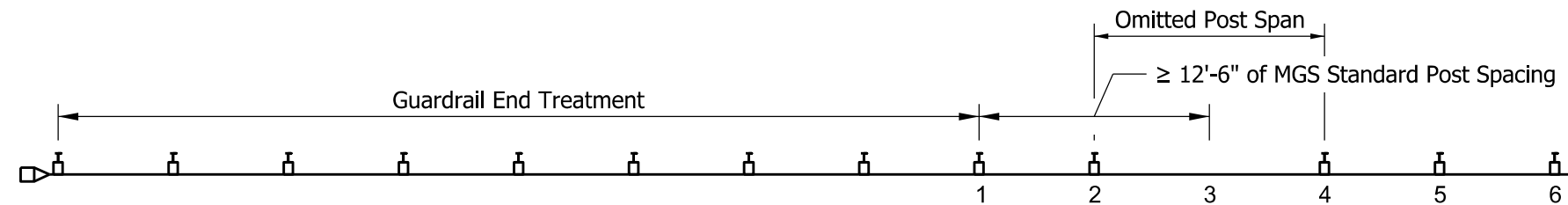
NOTES:

1. A single post may be omitted within an MGS w-beam guardrail run. See Standard Drawing E 601-MGSA-06
2. Where a post is omitted, a minimum length of MGS standard post spacing guardrail shall be installed as shown.
3. An MGS w-beam guardrail run containing an omitted post shall not be installed adjacent to curb.



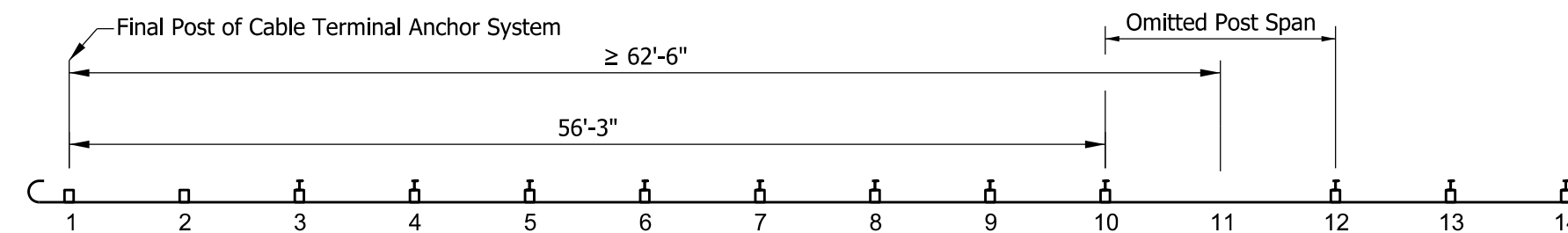
PLAN VIEW

MINIMUM DISTANCE BETWEEN OMITTED POST AND FLARED MGS W-BEAM



PLAN VIEW

MINIMUM DISTANCE BETWEEN OMITTED POST AND GUARDRAIL END TREATMENT



PLAN VIEW

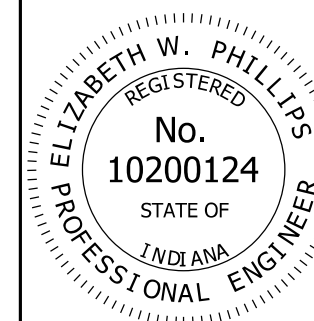
MINIMUM DISTANCE BETWEEN OMITTED POST AND MGS CABLE TERMINAL ANCHOR SYSTEM

INDIANA DEPARTMENT OF TRANSPORTATION

MIDWEST GUARDRAIL SYSTEM
ASSEMBLY, OMITTED POST

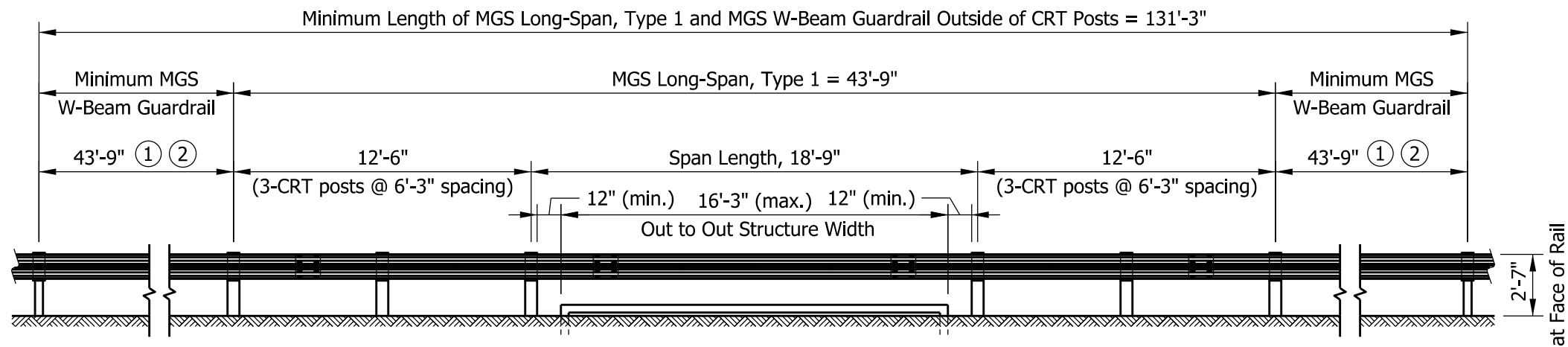
SEPTEMBER 2018

STANDARD DRAWING NO. E 601-MGSA-07

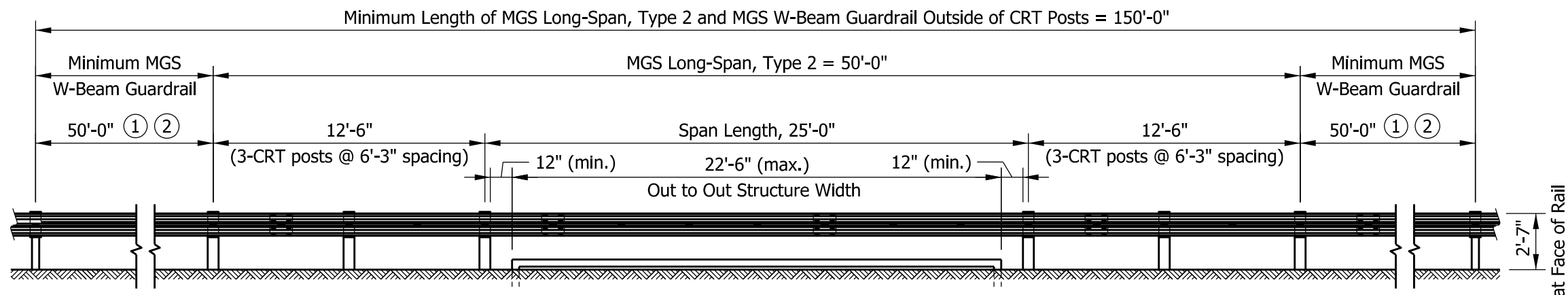


/s/ Elizabeth W. Phillips 03/20/18
DESIGN STANDARDS ENGINEER DATE

/s/ John Leckie 04/25/18
CHIEF ENGINEER DATE



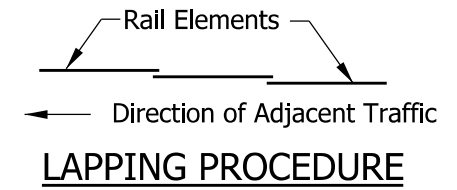
ELEVATION VIEW
INSTALLATION TYPE 1
(2 POSTS OMITTED)



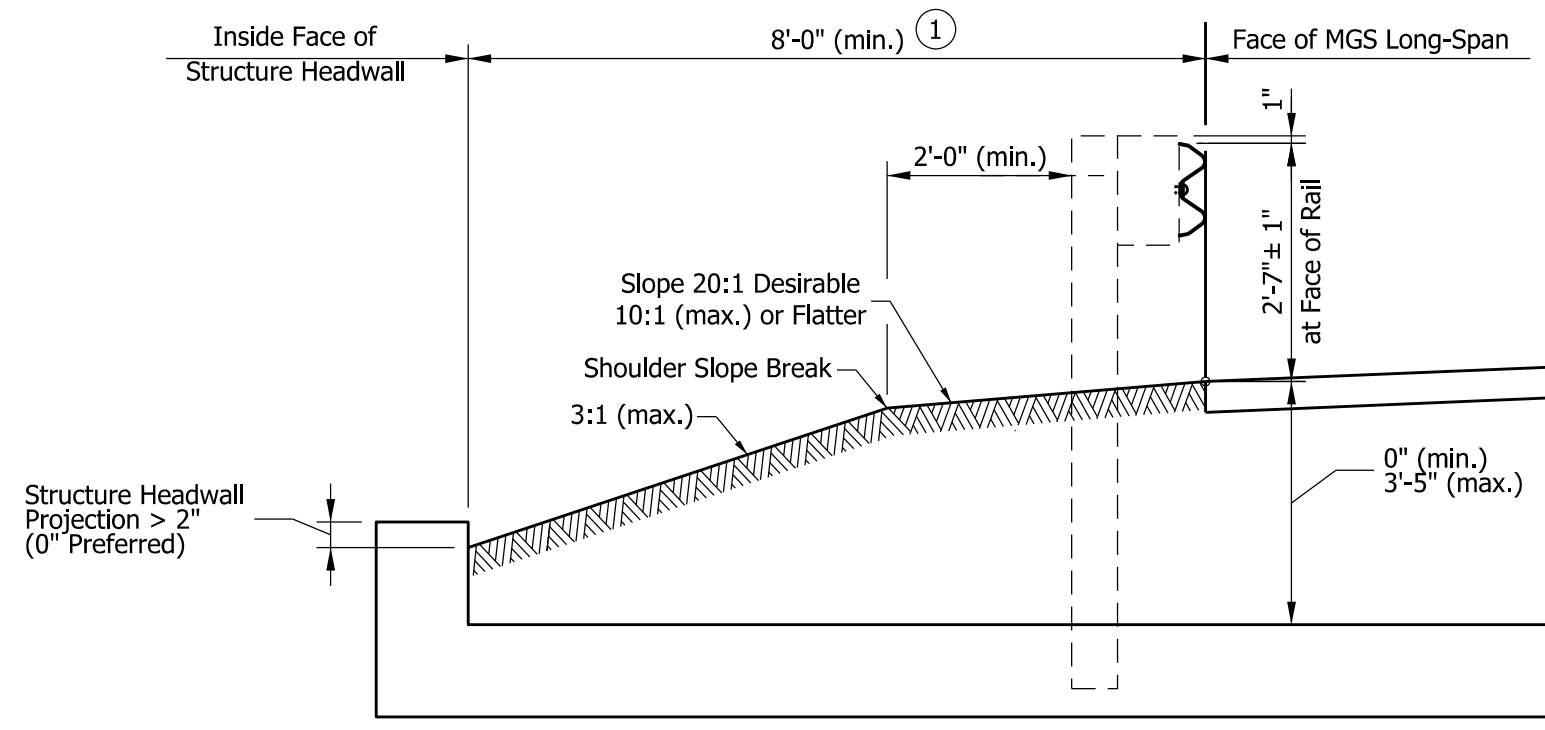
ELEVATION VIEW
INSTALLATION TYPE 2
(3 POSTS OMITTED)

NOTES:

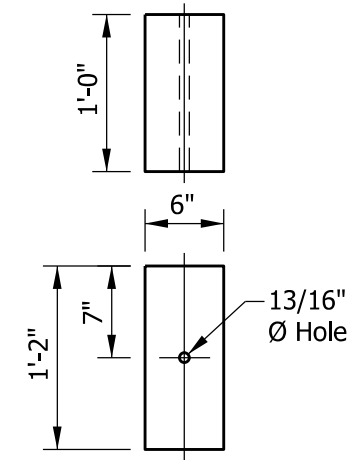
- ① A minimum length of MGS w-beam guardrail shall be installed on the approach and departure ends of the outermost CRT posts. This length may include the length of a guardrail end treatment, cable terminal anchor, or transition.
- ② A minimum of 62 ft 6 in. of tangent MGS w-beam guardrail shall be installed between the outermost CRT post and the beginning of any flared guardrail section.
3. An MGS w-beam guardrail run containing MGS Long-Span shall not be installed adjacent to curb.
4. See Standard Drawing E 601-MGSA-06 for one omitted post, span length 12 ft 6 in.



INDIANA DEPARTMENT OF TRANSPORTATION									
MIDWEST GUARDRAIL SYSTEM ASSEMBLY, LONG-SPAN									
SEPTEMBER 2018									
STANDARD DRAWING NO.	E 601-MGSA-08								
	<table style="width: 100%; border: none;"> <tr> <td style="border: none;">/s/ <i>Elizabeth W. Phillips</i></td> <td style="border: none; text-align: right;">03/20/18</td> </tr> <tr> <td style="border: none;">DESIGN STANDARDS ENGINEER</td> <td style="border: none; text-align: right;">DATE</td> </tr> <tr> <td style="border: none;">/s/ <i>John Leckie</i></td> <td style="border: none; text-align: right;">04/25/18</td> </tr> <tr> <td style="border: none;">CHIEF ENGINEER</td> <td style="border: none; text-align: right;">DATE</td> </tr> </table>	/s/ <i>Elizabeth W. Phillips</i>	03/20/18	DESIGN STANDARDS ENGINEER	DATE	/s/ <i>John Leckie</i>	04/25/18	CHIEF ENGINEER	DATE
/s/ <i>Elizabeth W. Phillips</i>	03/20/18								
DESIGN STANDARDS ENGINEER	DATE								
/s/ <i>John Leckie</i>	04/25/18								
CHIEF ENGINEER	DATE								



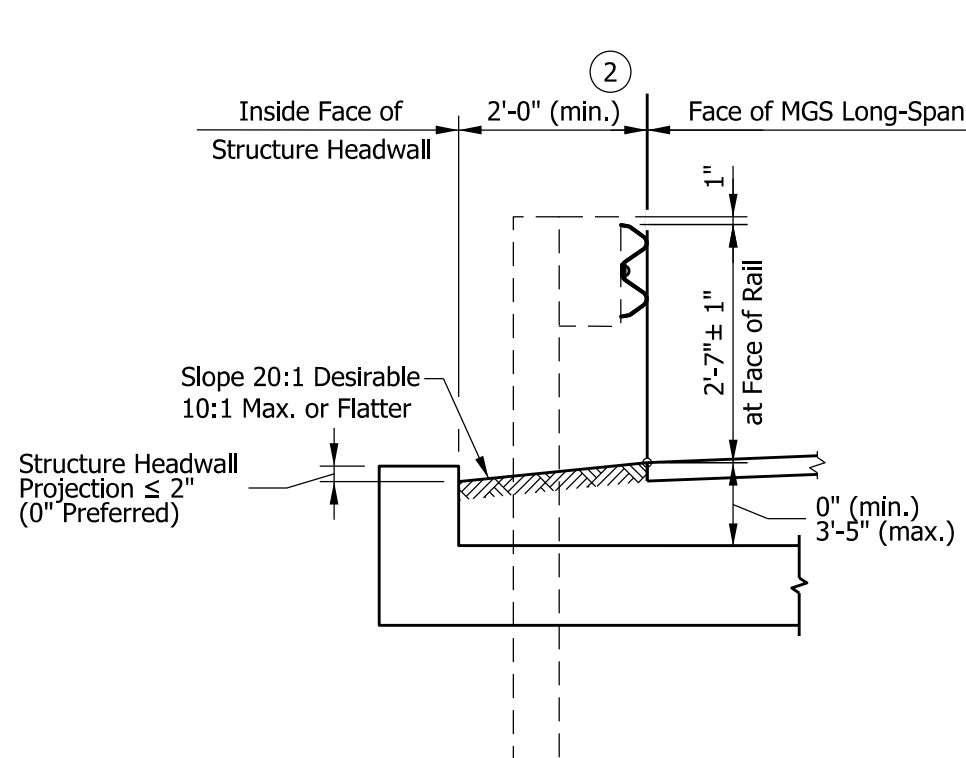
STRUCTURE HEADWALL PROJECTION > 2"



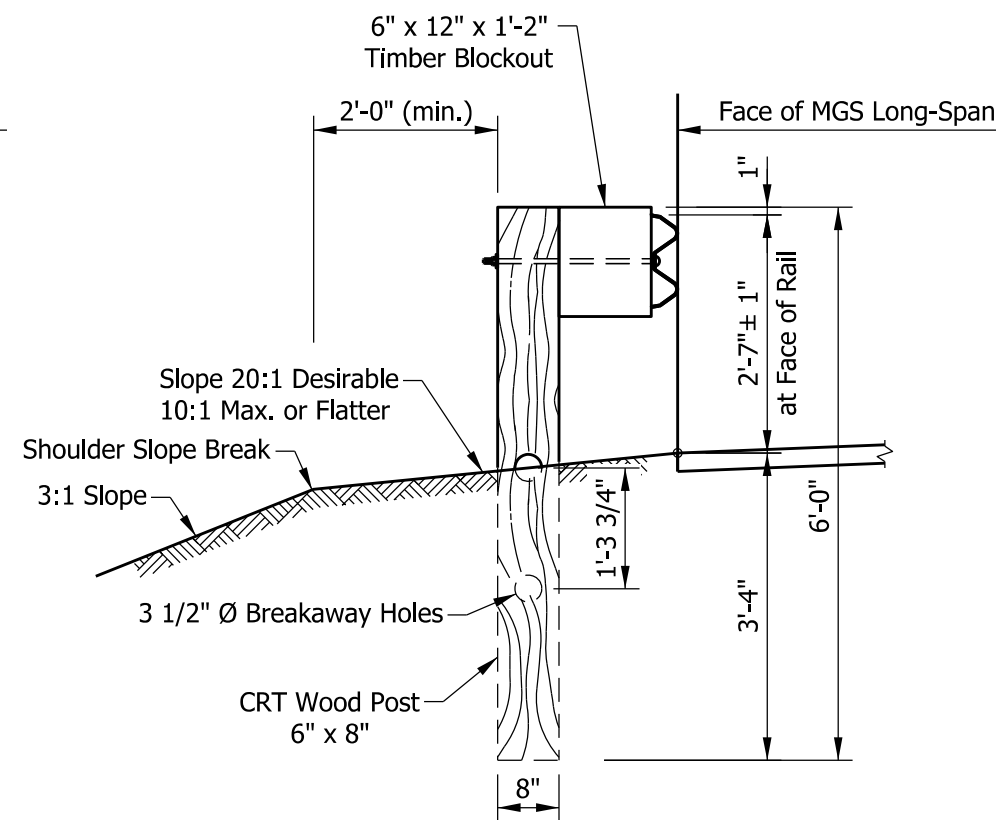
TIMBER BLOCKOUT WITH CRT POST

NOTES:


- ① Where the structure headwall projection is greater than 2 in. above the grade, the inside face of the headwall shall be a minimum of 8 ft from the face of MGS Long-Span.
- ② Where the structure headwall projection is 2 in. or less above the grade, the inside face of the headwall shall be a minimum of 2 ft from the face of MGS Long-Span.
3. MGS Long-Span shall not be installed adjacent to curb.

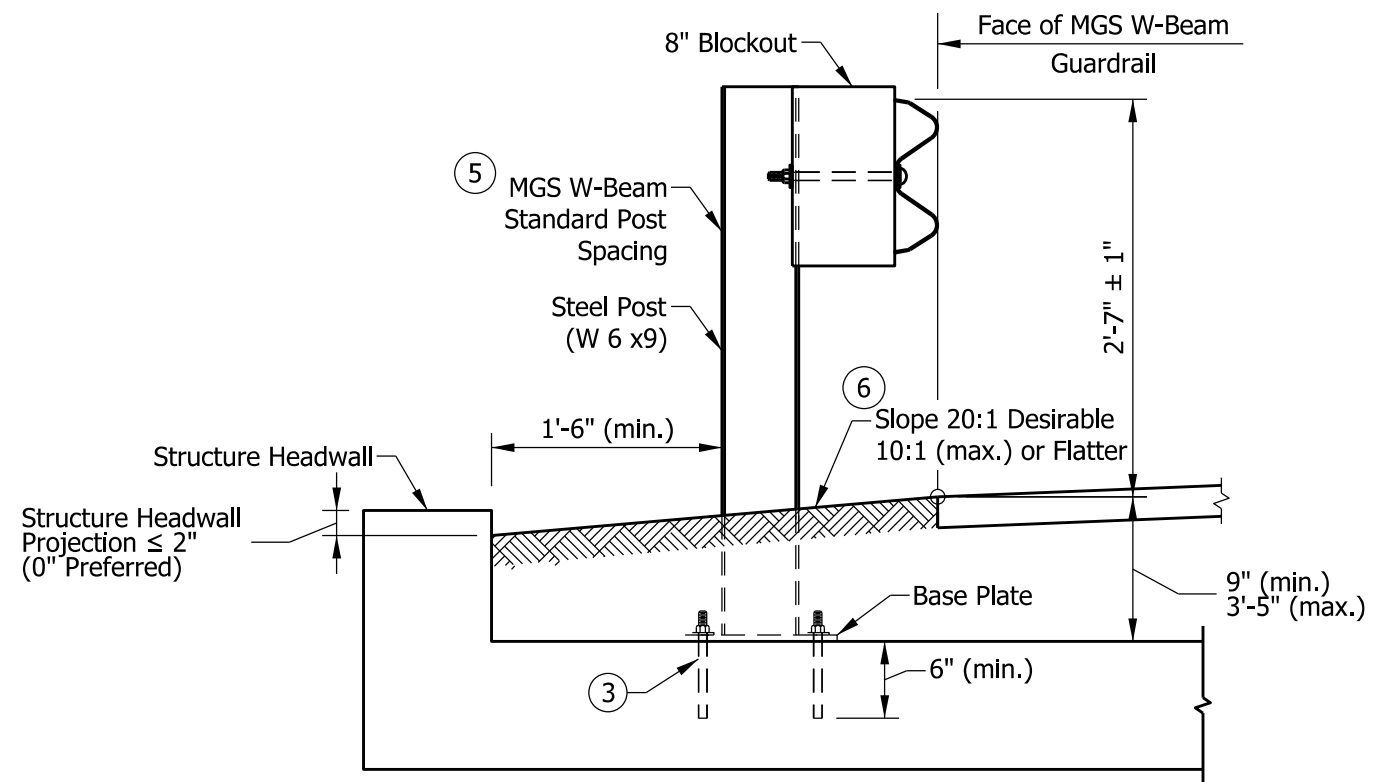


STRUCTURE HEADWALL PROJECTION ≤ 2"



TYPICAL SECTION AT CRT POST

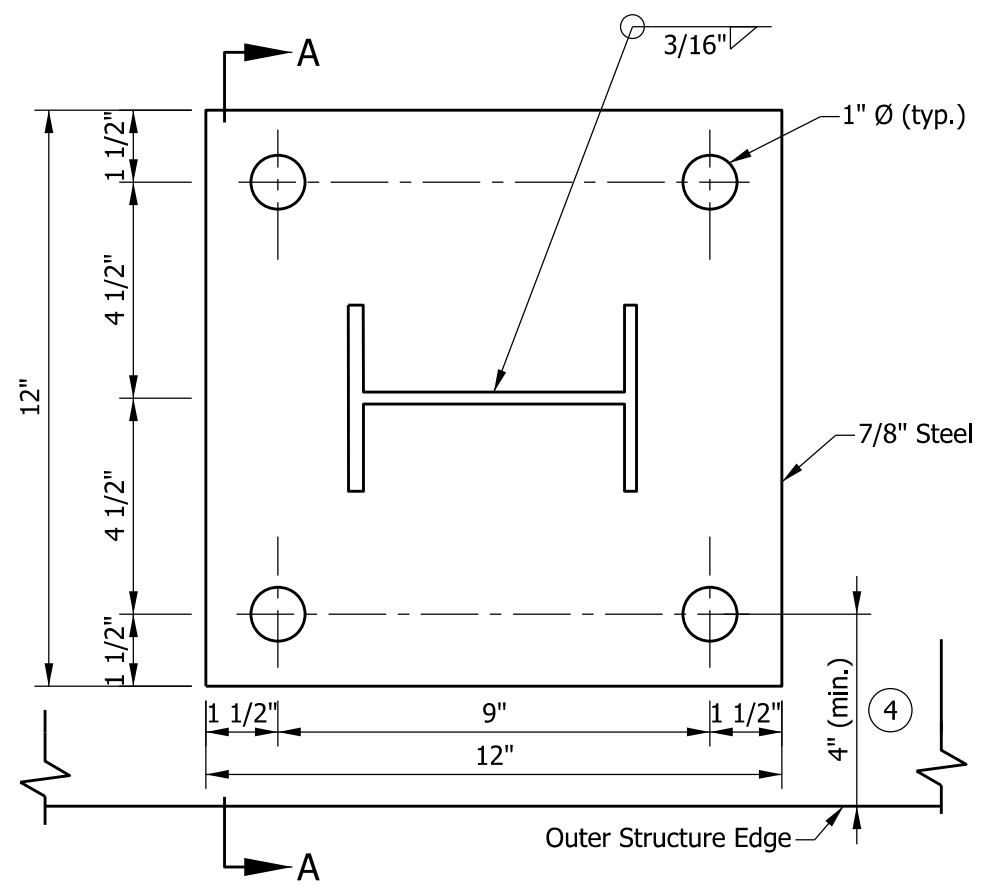
INDIANA DEPARTMENT OF TRANSPORTATION									
MIDWEST GUARDRAIL SYSTEM ASSEMBLY, LONG-SPAN									
SEPTEMBER 2018									
STANDARD DRAWING NO.	E 601-MGSA-09								
	<table style="width: 100%; border-collapse: collapse;"> <tr> <td style="border-bottom: 1px solid black; padding: 2px;">/s/ Elizabeth W. Phillips</td> <td style="border-bottom: 1px solid black; padding: 2px;">03/20/18</td> </tr> <tr> <td style="padding: 2px;">DESIGN STANDARDS ENGINEER</td> <td style="padding: 2px;">DATE</td> </tr> <tr> <td style="border-bottom: 1px solid black; padding: 2px;">/s/ John Leckie</td> <td style="border-bottom: 1px solid black; padding: 2px;">04/25/18</td> </tr> <tr> <td style="padding: 2px;">CHIEF ENGINEER</td> <td style="padding: 2px;">DATE</td> </tr> </table>	/s/ Elizabeth W. Phillips	03/20/18	DESIGN STANDARDS ENGINEER	DATE	/s/ John Leckie	04/25/18	CHIEF ENGINEER	DATE
/s/ Elizabeth W. Phillips	03/20/18								
DESIGN STANDARDS ENGINEER	DATE								
/s/ John Leckie	04/25/18								
CHIEF ENGINEER	DATE								



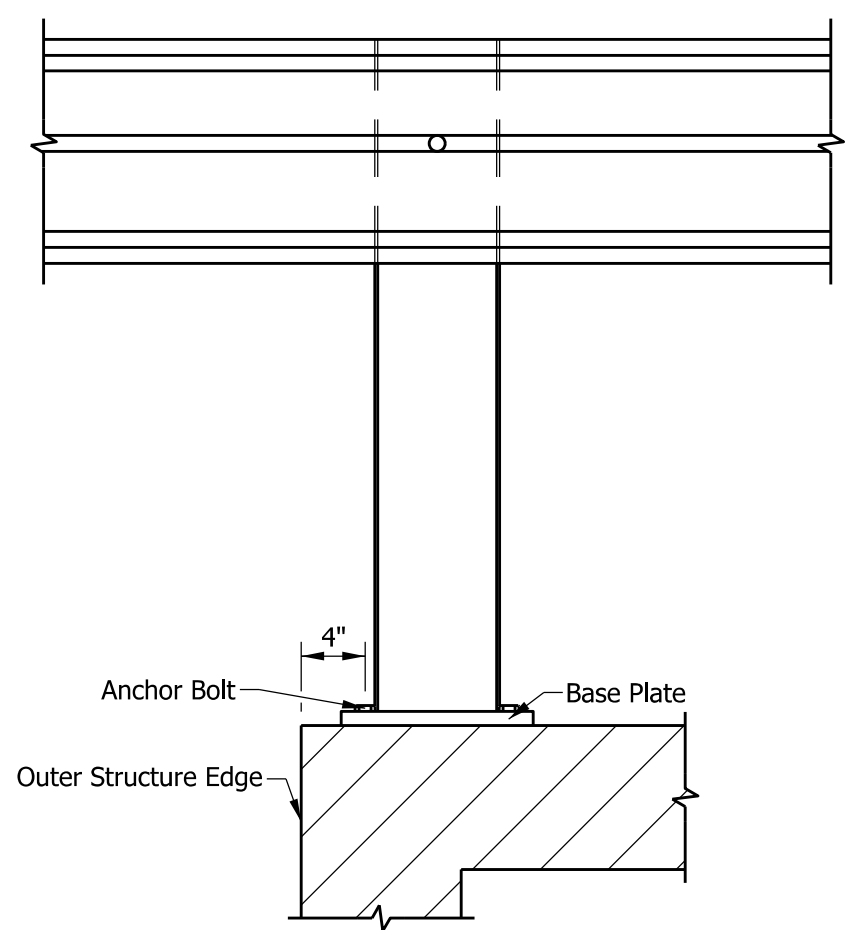
TYPICAL SECTION

NOTES:

1. A top-mounted post shall not be installed on an arch-topped or true-arch structure.
2. Top-mounted post shall be spaced in accordance with standard MGS w-beam guardrail post spacing. See Standard Drawing E 601-MGSA-05.
- ③ The anchor bolt shall be 7/8 in. dia. rod, cut off to 8 1/2 in. length, with washer and nut, galvanized. The minimum embedment shall be 6 in. The anchor bolt shall be installed using Hilti RE500 Epoxy Anchoring System.
- ④ The center of the anchor bolt shall be installed a minimum of 4 in. from the outer structure edge.
- ⑤ The top of the post may be field cut to adjust the length. Where the post is field cut, drill holes at appropriate locations. All cut and hole surfaces shall receive a galvanized coating.
- ⑥ The post shall not be encased with asphalt, concrete, or riprap.

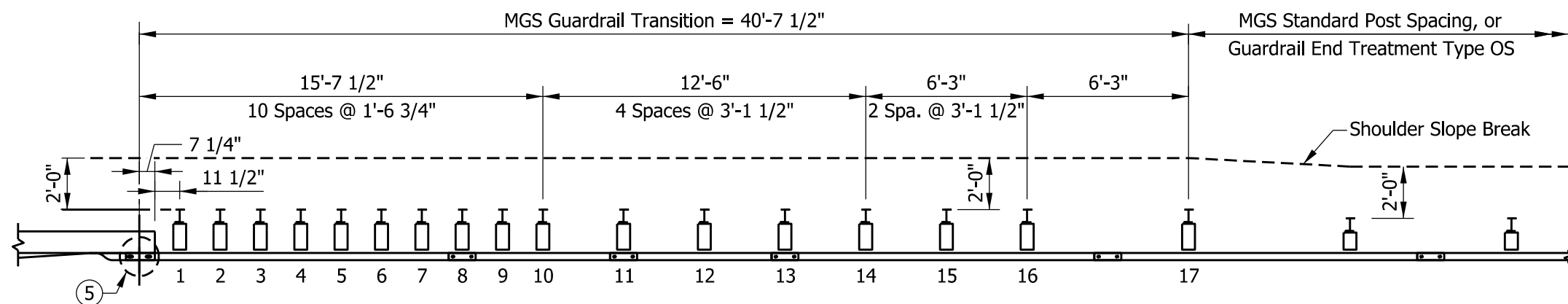


BASE PLATE AND POST

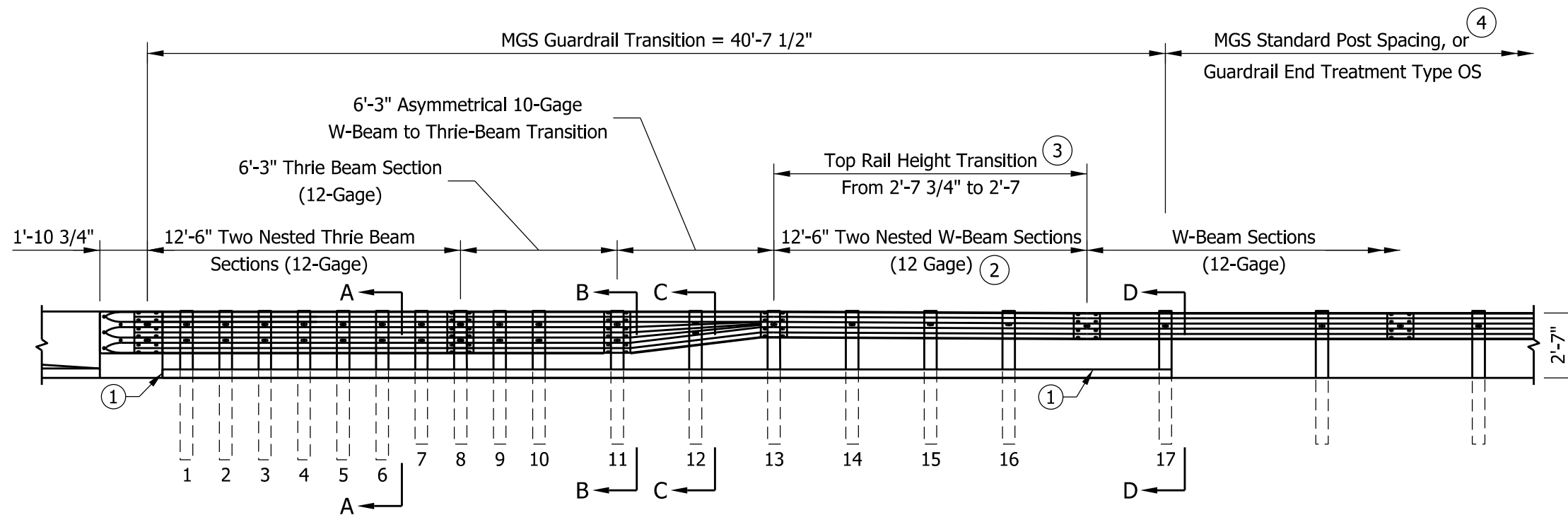


SECTION A-A

INDIANA DEPARTMENT OF TRANSPORTATION											
MIDWEST GUARDRAIL SYSTEM ASSEMBLY, STRUCTURE TOP-MOUNTED POST											
SEPTEMBER 2018											
STANDARD DRAWING NO.	E 601-MGSA-10										
	<table style="width: 100%; border: none;"> <tr> <td style="border: none;">/s/ Elizabeth W. Phillips</td> <td style="border: none; text-align: right;">03/20/18</td> </tr> <tr> <td style="border: none;">DESIGN STANDARDS ENGINEER</td> <td style="border: none; text-align: right;">DATE</td> </tr> <tr> <td colspan="2" style="border: none;"> </td> </tr> <tr> <td style="border: none;">/s/ John Leckie</td> <td style="border: none; text-align: right;">04/25/18</td> </tr> <tr> <td style="border: none;">CHIEF ENGINEER</td> <td style="border: none; text-align: right;">DATE</td> </tr> </table>	/s/ Elizabeth W. Phillips	03/20/18	DESIGN STANDARDS ENGINEER	DATE			/s/ John Leckie	04/25/18	CHIEF ENGINEER	DATE
/s/ Elizabeth W. Phillips	03/20/18										
DESIGN STANDARDS ENGINEER	DATE										
/s/ John Leckie	04/25/18										
CHIEF ENGINEER	DATE										



PLAN VIEW



ELEVATION VIEW

MGS GUARDRAIL TRANSITION

NOTES:

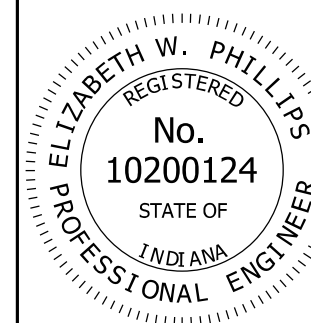
- ① Optional 4 in. sloping curb only. See Standard Drawing E 605-CCCG-01 or 605-CCIN-01. Where curb is present it shall extend the length of the transition to post 17. The face of curb shall not project beyond the face of w-beam or thrie-beam guardrail.
- ② Where curb is not present, a single w-beam section may be installed instead of a nested section. See Standard Drawing E 601-MGSA-12 for guardrail transition without curb.
- ③ Guardrail mounting height at bridge railing transition shall be 2 ft 7 3/4 in. Transition guardrail mounting height down to 2 ft 7 in.
- ④ A minimum of 12 ft 6 in. of tangent MGS w-beam guardrail shall be installed beyond the MGS guardrail transition limits and the beginning of any flared guardrail section.
- ⑤ See Standard Drawing E 601-MGSA-13 for lap detail.
6. See Standard Drawing Series E 601-TBGC for Thrie-Beam Guardrail Components.
7. See Standard Drawing E 601-MGSA-14 through -15 for post and blackout details and section views.
8. See Standard Drawing E 706-CBRT-04 for bridge railing attachment details.

INDIANA DEPARTMENT OF TRANSPORTATION

MIDWEST GUARDRAIL SYSTEM ASSEMBLY,
GUARDRAIL TRANSITION WITH CURB

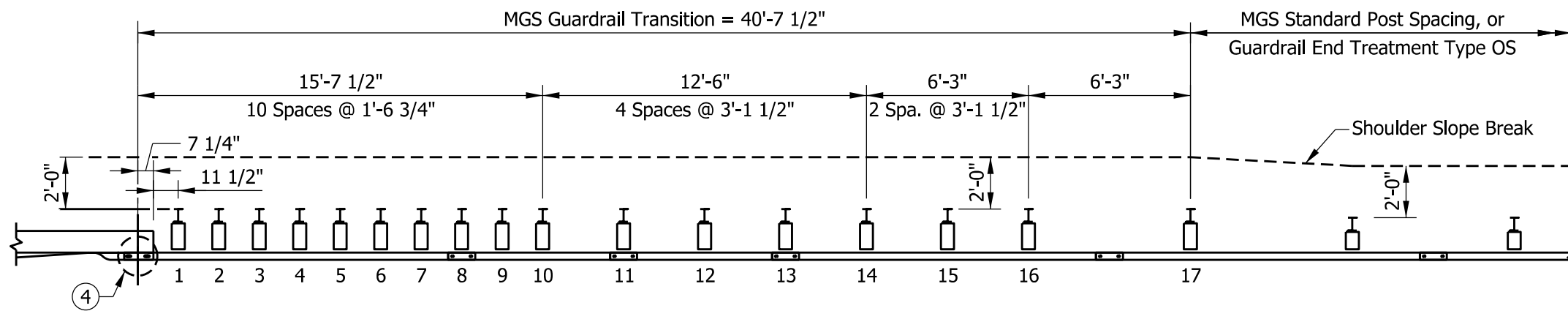
SEPTEMBER 2018

STANDARD DRAWING NO. E 601-MGSA-11

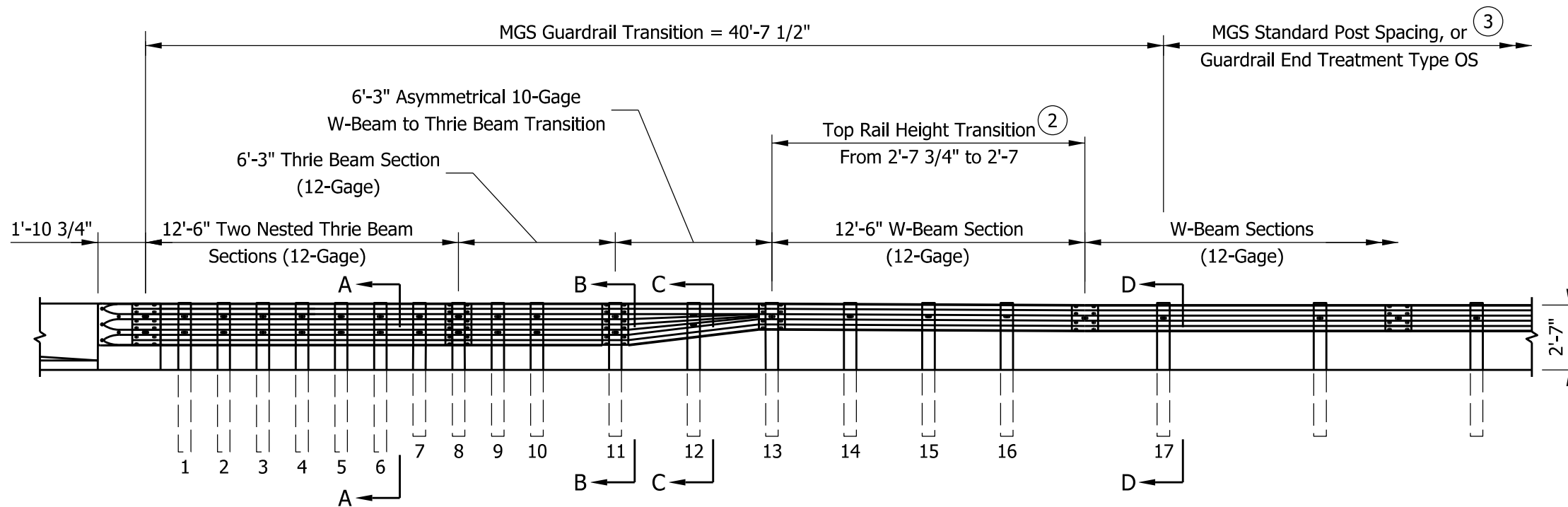


/s/ Elizabeth W. Phillips 03/20/18
DESIGN STANDARDS ENGINEER DATE

/s/ John Leckie 04/25/18
CHIEF ENGINEER DATE



PLAN VIEW



ELEVATION VIEW

MGS GUARDRAIL TRANSITION

NOTES:

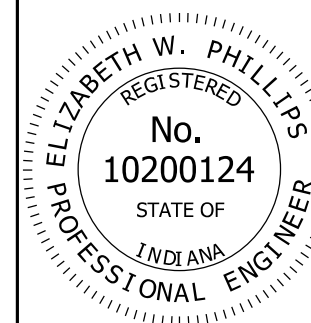
1. Where a curb is present, details on Standard Drawing E 601-MGSA-11 guardrail transition with curb shall apply.
- ② Guardrail mounting height at bridge railing transition is 2 ft 7 3/4 in. Transition guardrail mounting height down to 2 ft 7 in.
- ③ A minimum of 12 ft 6 in. of tangent MGS w-beam guardrail shall be installed beyond the MGS guardrail transition limits and the beginning of any flared guardrail section.
- ④ See Standard Drawing E 601-MGSA-13 for lap detail.
5. See Standard Drawing Series E 601-TBGC for Thrie-Beam Guardrail Components.
6. See Standard Drawing E 601-MGSA-14 through -15 for post and blockout details and section views.
7. See Standard Drawing E 706-CBRT-04 for bridge railing attachment details.

INDIANA DEPARTMENT OF TRANSPORTATION

MIDWEST GUARDRAIL SYSTEM ASSEMBLY,
GUARDRAIL TRANSITION WITHOUT CURB

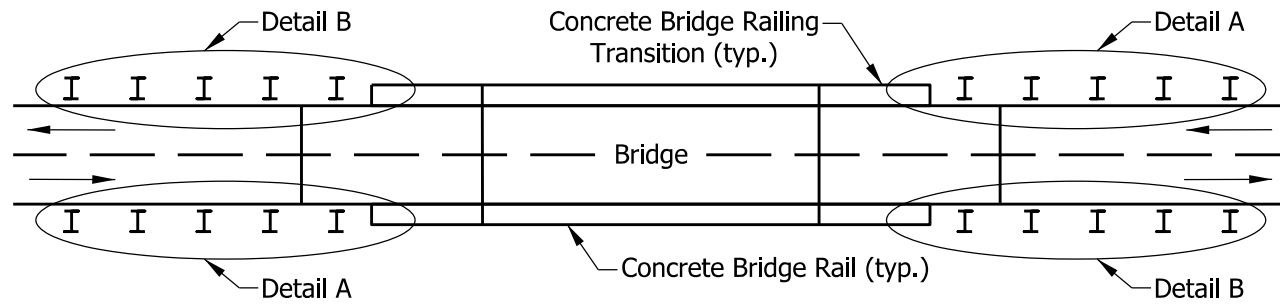
SEPTEMBER 2018

STANDARD DRAWING NO. E 601-MGSA-12

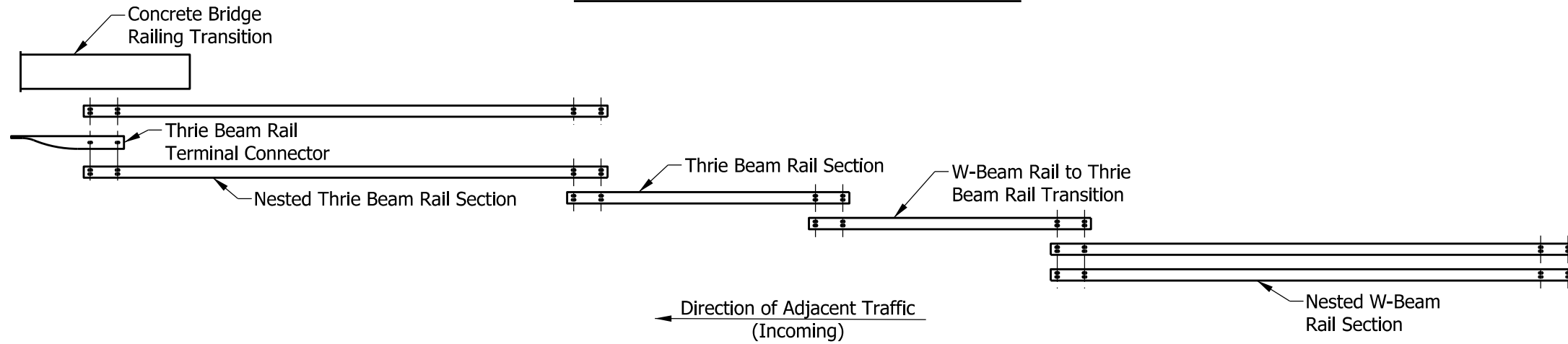


/s/ Elizabeth W. Phillips 03/20/18
DESIGN STANDARDS ENGINEER DATE

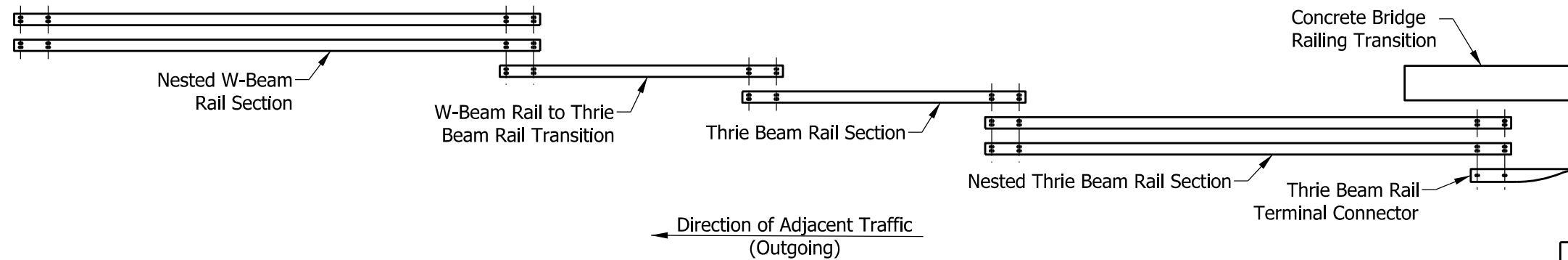
/s/ John Leckie 04/25/18
CHIEF ENGINEER DATE



GUARDRAIL TRANSITION PLAN VIEW



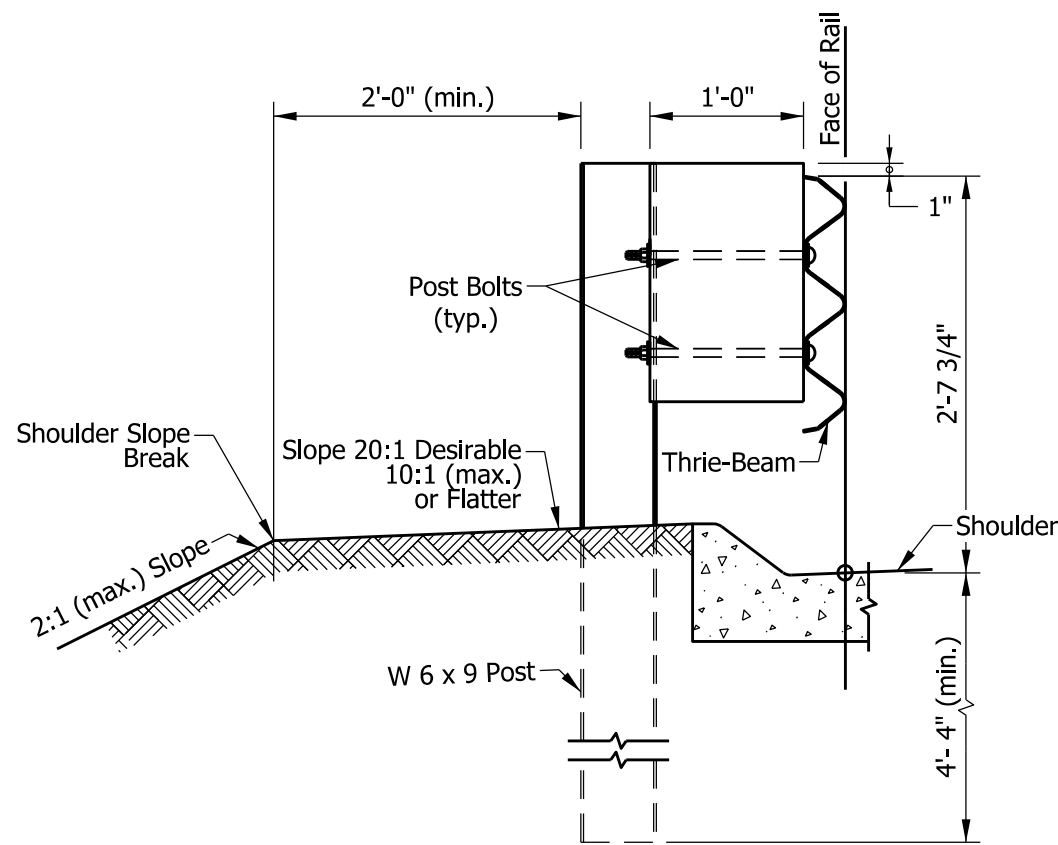
DETAIL A



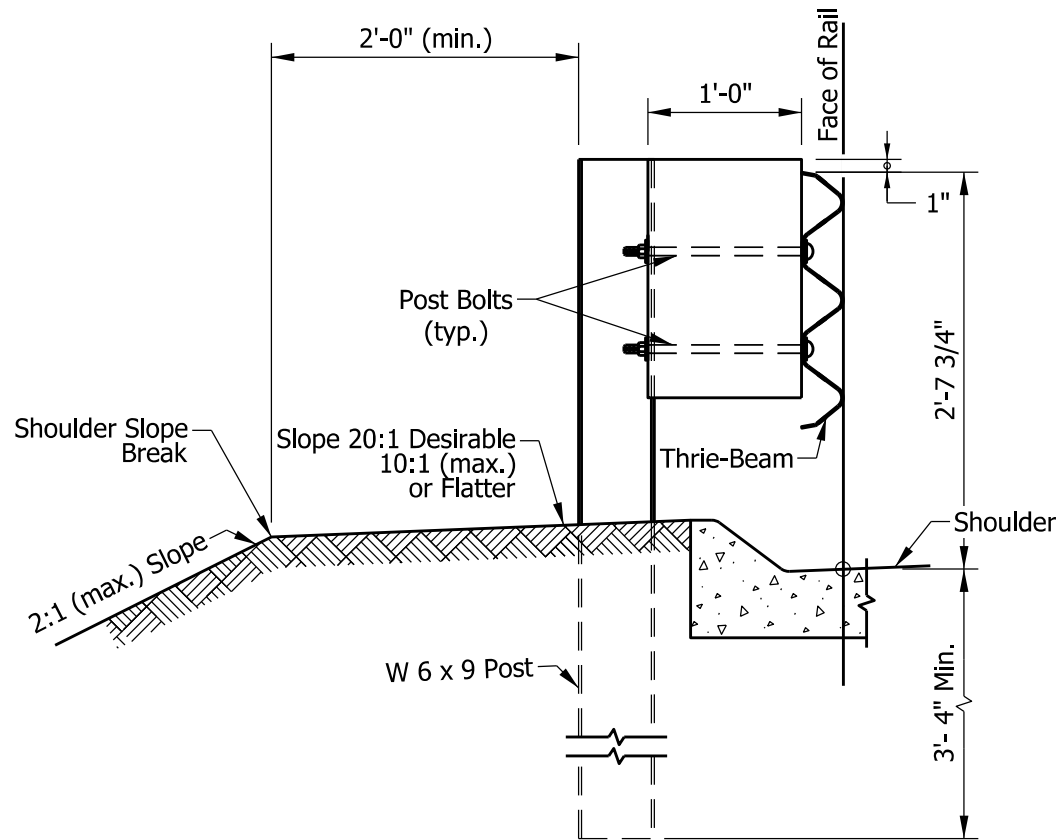
DETAIL B

LAP DETAILS AT BRIDGE RAILING TRANSITION PLAN VIEW

INDIANA DEPARTMENT OF TRANSPORTATION	
MIDWEST GUARDRAIL SYSTEM ASSEMBLY, GUARDRAIL TRANSITION	
SEPTEMBER 2018	
STANDARD DRAWING NO.	E 601-MGSA-13
	<i>/s/ Elizabeth W. Phillips</i> 03/20/18 DESIGN STANDARDS ENGINEER DATE
	<i>/s/ John Leckie</i> 04/25/18 CHIEF ENGINEER DATE

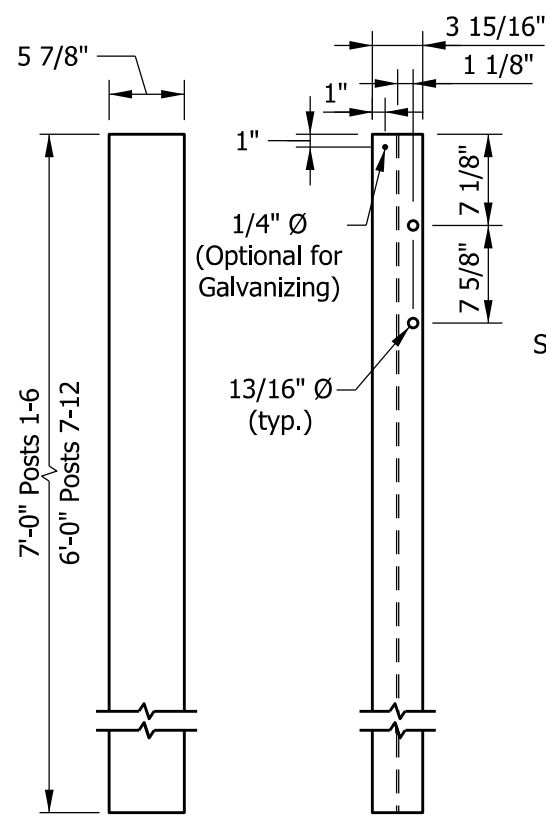


SECTION A-A
POSTS 1-6

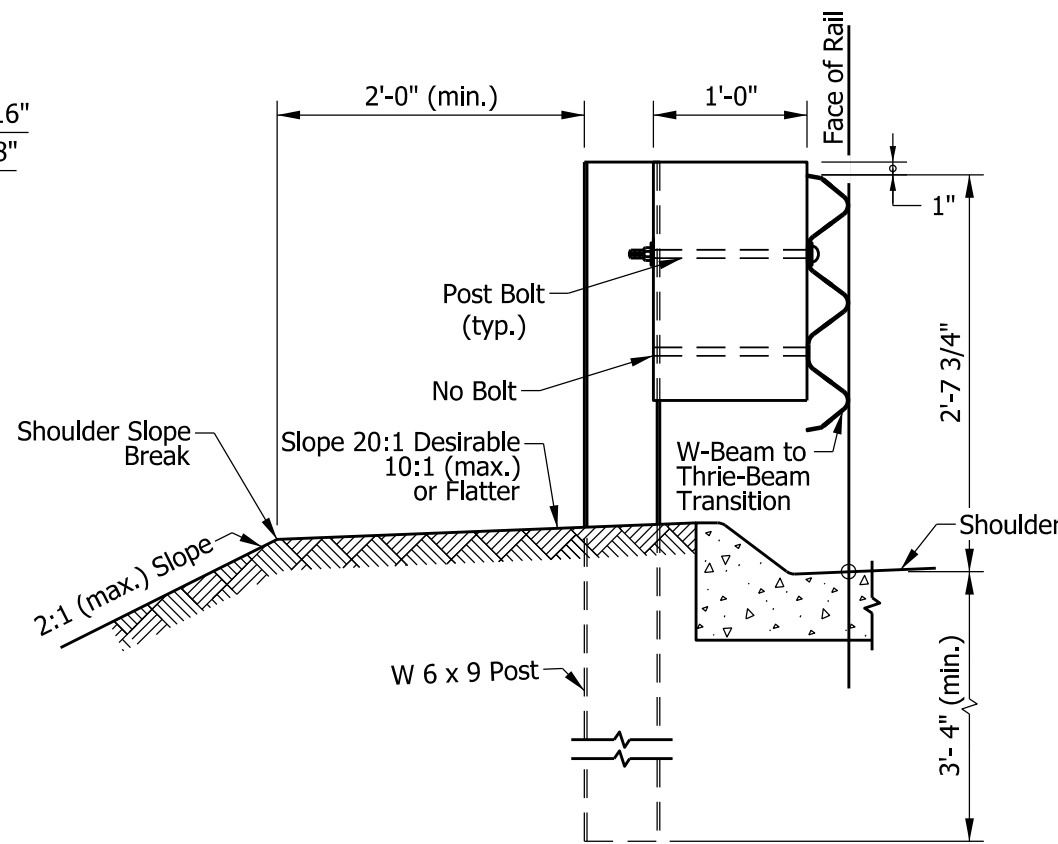


SECTION B-B
POSTS 7-11

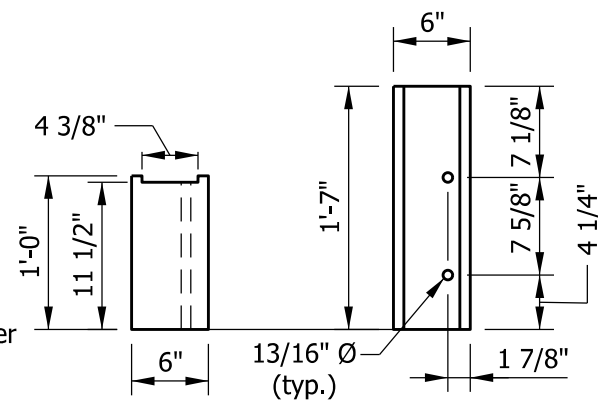
TOP VIEW



SIDE VIEW **FRONT VIEW**
W 6 x 9 POST DETAILS ②



SECTION C-C
POST 12



TOP VIEW **FRONT VIEW**
BLOCKOUT POSTS 1-12
(TIMBER)

NOTES:

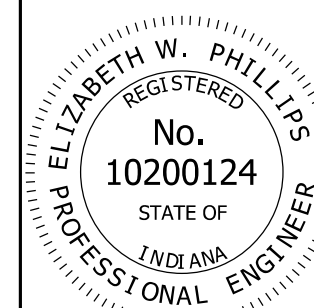
1. All holes drilled or punched to 13/16 in. dia.
- ② Timber posts shall not be used within the limits of the MGS guardrail transition.
3. Hole pattern for post numbers 1 through 12 may be drilled in back flange.
4. See Standard Drawing E 601-MGSA-11 or -12 for post numbers and sections.

INDIANA DEPARTMENT OF TRANSPORTATION

MIDWEST GUARDRAIL SYSTEM
ASSEMBLY, GUARDRAIL TRANSITION

SEPTEMBER 2018

STANDARD DRAWING NO. E601-MGSA-14

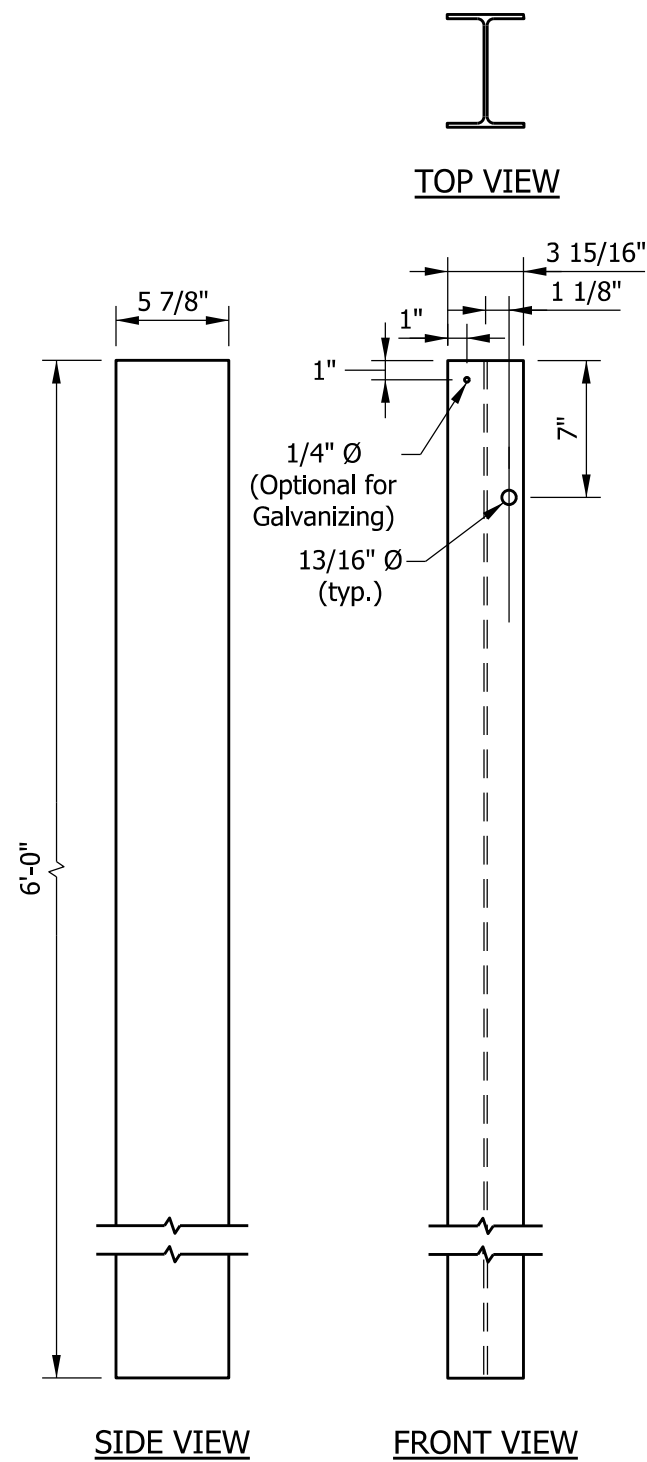


/s/ Elizabeth W. Phillips 03/20/18
DESIGN STANDARDS ENGINEER DATE

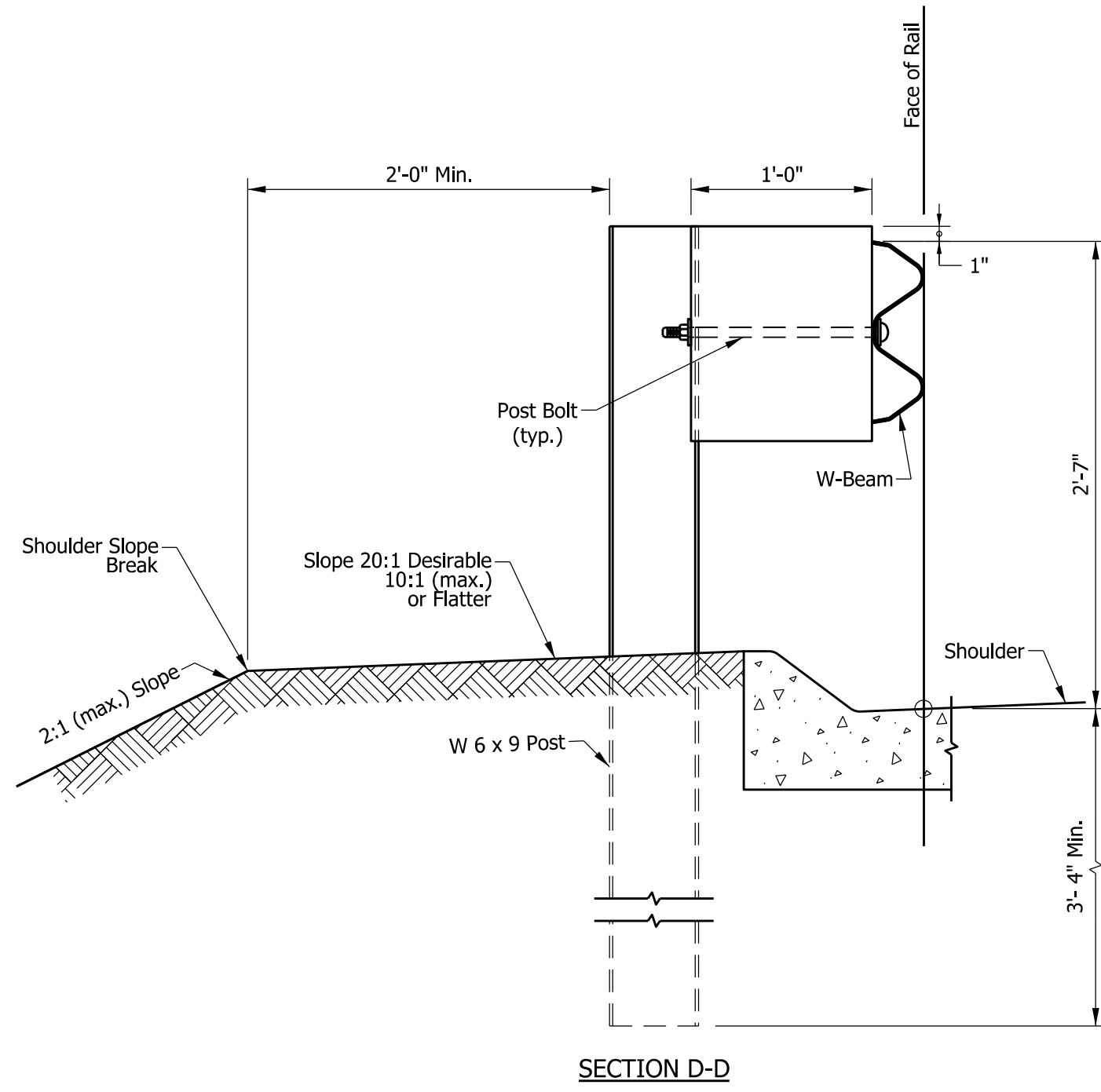
/s/ John Leckie 04/25/18
CHIEF ENGINEER DATE

NOTES:

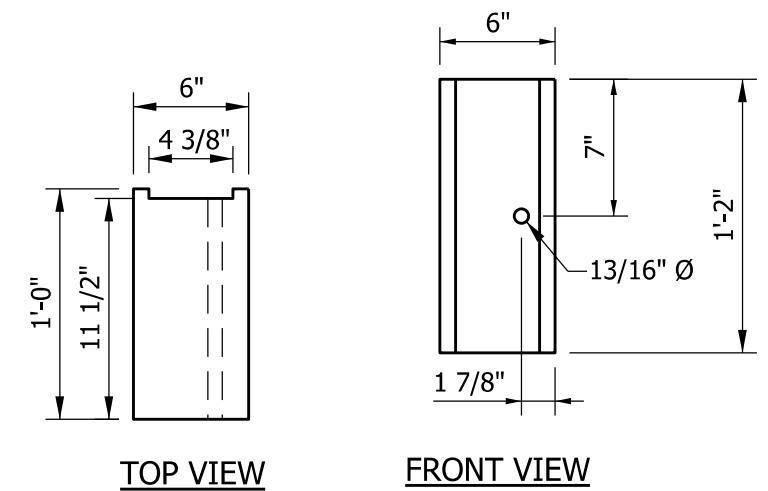
1. All holes drilled or punched to 13/16 in. dia.
- ② Timber posts shall not be used within the limits of the MGS guardrail transition.
3. Hole pattern for post numbers 13 through 17 may be drilled in back flange.
4. See Standard Drawing E 601-MGSA-11 or -12 for post numbers and sections.



POSTS 13-17 ②

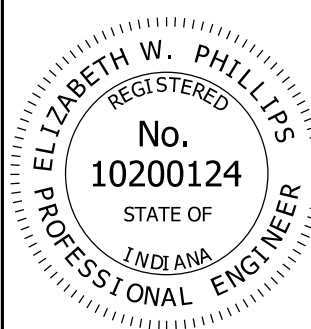


SECTION D-D
POSTS 13-17



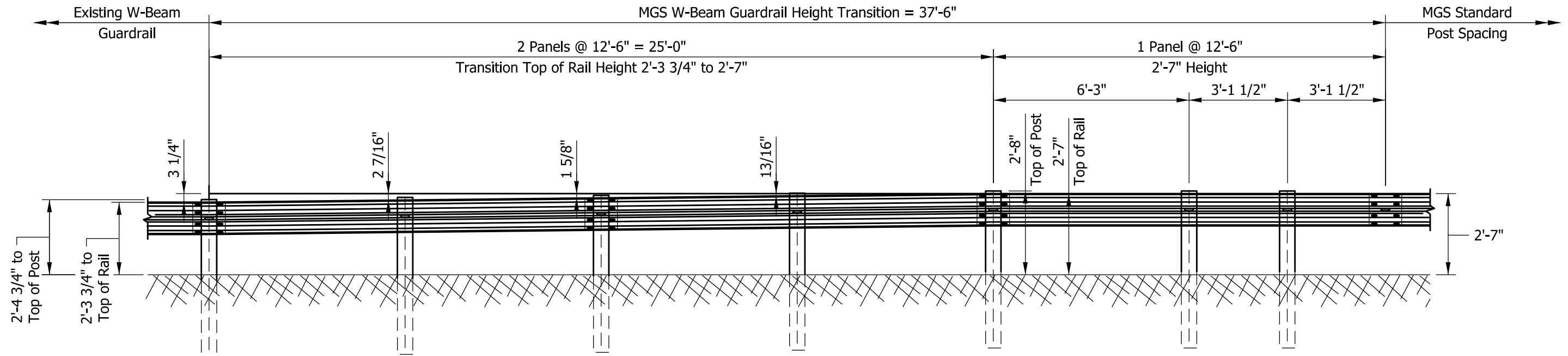
TOP VIEW **FRONT VIEW**

BLOCKOUT POSTS 13-17
(TIMBER)

INDIANA DEPARTMENT OF TRANSPORTATION											
MIDWEST GUARDRAIL SYSTEM ASSEMBLY, GUARDRAIL TRANSITION											
SEPTEMBER 2018											
STANDARD DRAWING NO.	E 601-MGSA-15										
	<table style="width: 100%; border: none;"> <tr> <td style="border: none;"><i>/s/ Elizabeth W. Phillips</i></td> <td style="border: none; text-align: right;"><i>03/20/18</i></td> </tr> <tr> <td style="border: none;">DESIGN STANDARDS ENGINEER</td> <td style="border: none; text-align: right;">DATE</td> </tr> <tr> <td colspan="2" style="padding: 10px 0 0 0;"> </td> </tr> <tr> <td style="border: none;"><i>/s/ John Leckie</i></td> <td style="border: none; text-align: right;"><i>04/25/18</i></td> </tr> <tr> <td style="border: none;">CHIEF ENGINEER</td> <td style="border: none; text-align: right;">DATE</td> </tr> </table>	<i>/s/ Elizabeth W. Phillips</i>	<i>03/20/18</i>	DESIGN STANDARDS ENGINEER	DATE			<i>/s/ John Leckie</i>	<i>04/25/18</i>	CHIEF ENGINEER	DATE
<i>/s/ Elizabeth W. Phillips</i>	<i>03/20/18</i>										
DESIGN STANDARDS ENGINEER	DATE										
<i>/s/ John Leckie</i>	<i>04/25/18</i>										
CHIEF ENGINEER	DATE										

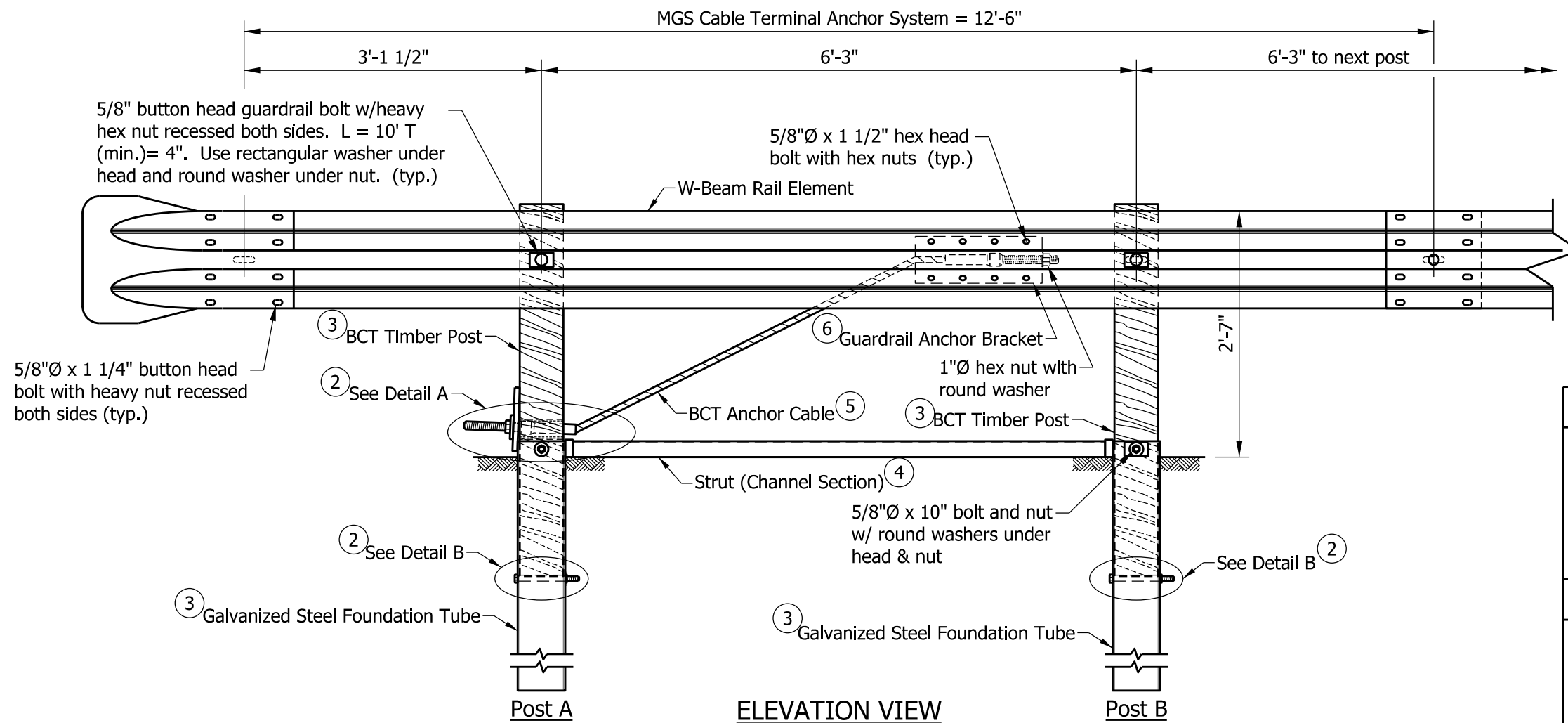
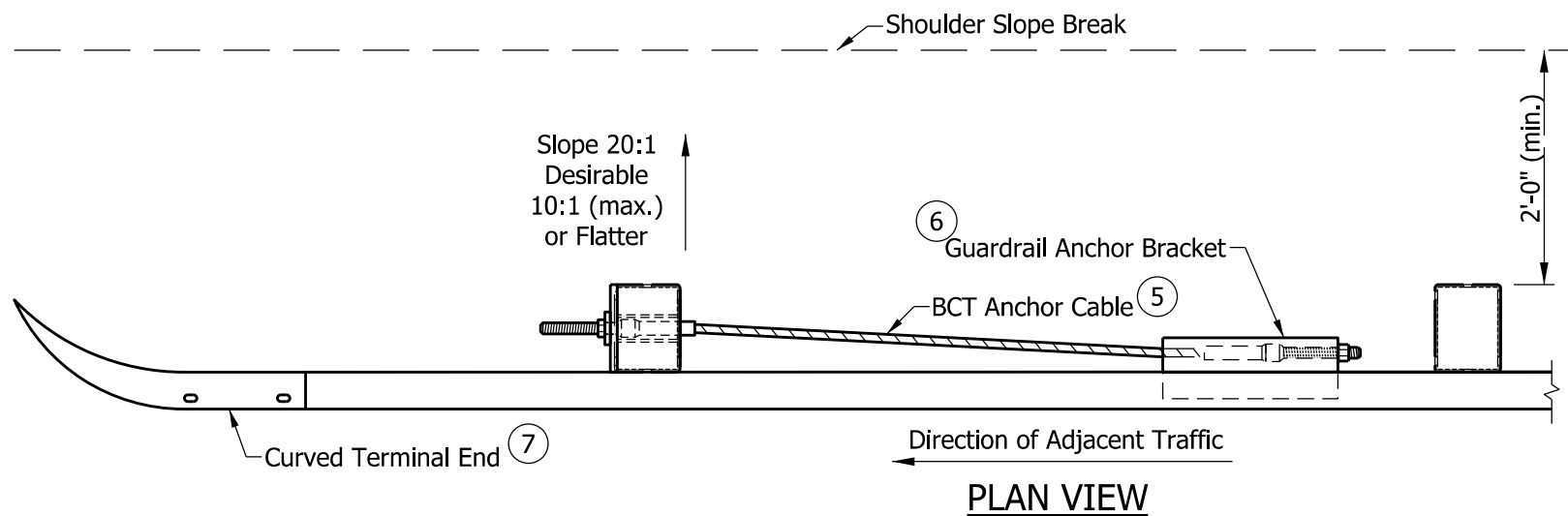
NOTES:

1. Where rub-rail is present on existing w-beam guardrail, the channel shall be cut and repositioned behind the flange.



ELEVATION VIEW

INDIANA DEPARTMENT OF TRANSPORTATION	
MIDWEST GUARDRAIL ASSEMBLY, HEIGHT TRANSITION	
SEPTEMBER 2018	
STANDARD DRAWING NO.	E 601-MGSA-16
	<i>/s/ Elizabeth W. Phillips</i> 03/20/18 DESIGN STANDARDS ENGINEER DATE
	<i>/s/ John Leckie</i> 04/25/18 CHIEF ENGINEER DATE



NOTES:

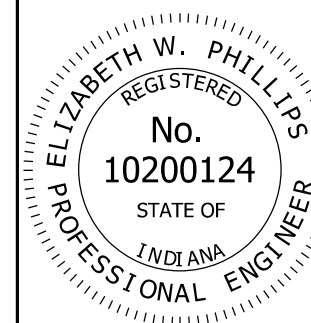
1. The MGS cable terminal anchor system shall only be used at the outgoing end of an MGS w-beam guardrail run not exposed to oncoming traffic.
- ② See Standard Drawing E 601-MGSA-18 for Details A and B.
- ③ See Standard Drawing E 601-MGSA-19 for BCT timber post and steel foundation tube details.
- ④ See Standard Drawing E 601-MGSA-20 for strut details.
- ⑤ See Standard Drawing E 601-MGSA-21 for BCT anchor cable assembly details.
- ⑥ See Standard Drawing E 601-MGSA-22 for guardrail anchor bracket details.
- ⑦ See Standard Drawing E 601-WBGC-01 for curved terminal end details.

INDIANA DEPARTMENT OF TRANSPORTATION

MIDWEST GUARDRAIL SYSTEM
ASSEMBLY, CABLE TERMINAL ANCHOR SYSTEM

SEPTEMBER 2018

STANDARD DRAWING NO. E 601-MGSA-17

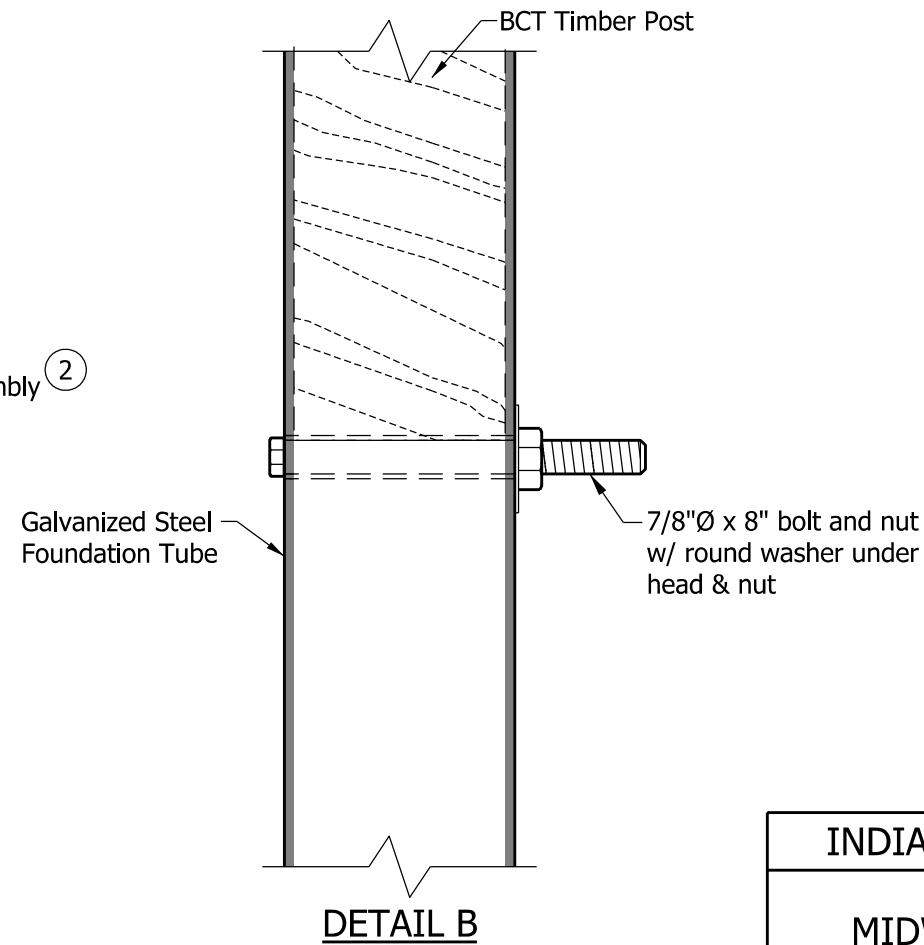
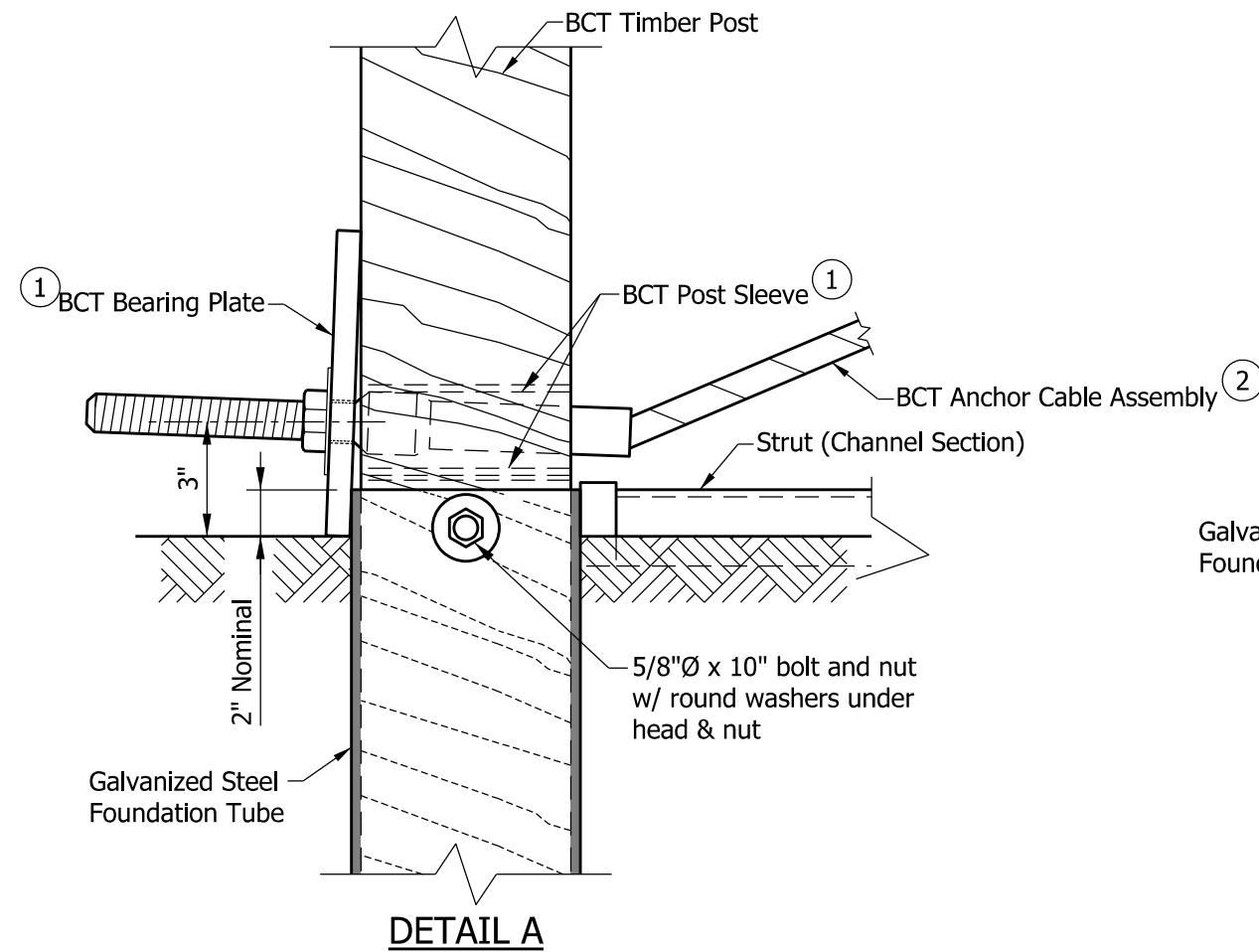


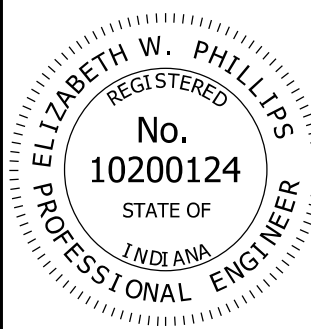
/s/ Elizabeth W. Phillips 03/20/18
DESIGN STANDARDS ENGINEER DATE

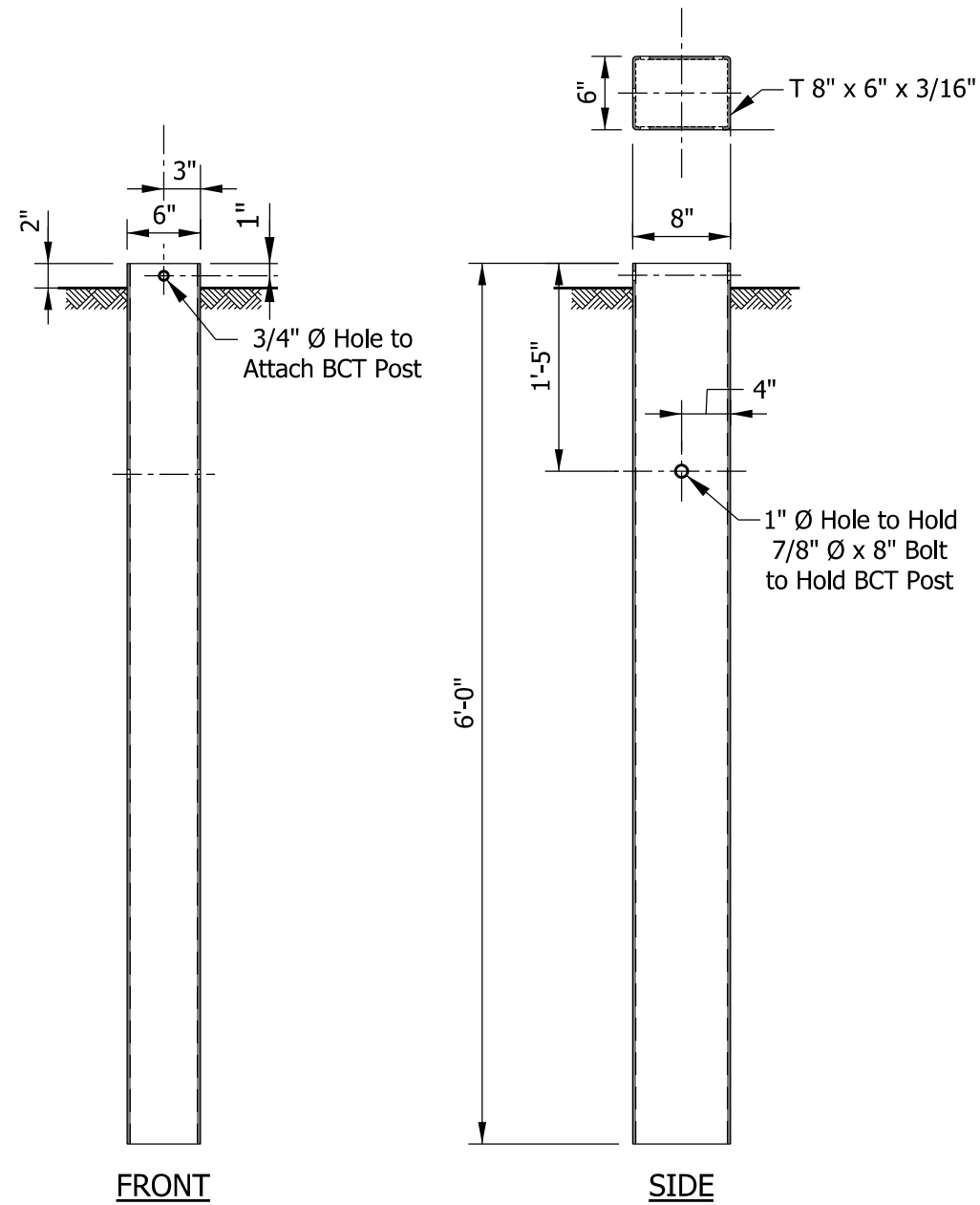
/s/ John Leckie 04/25/18
CHIEF ENGINEER DATE

NOTES:

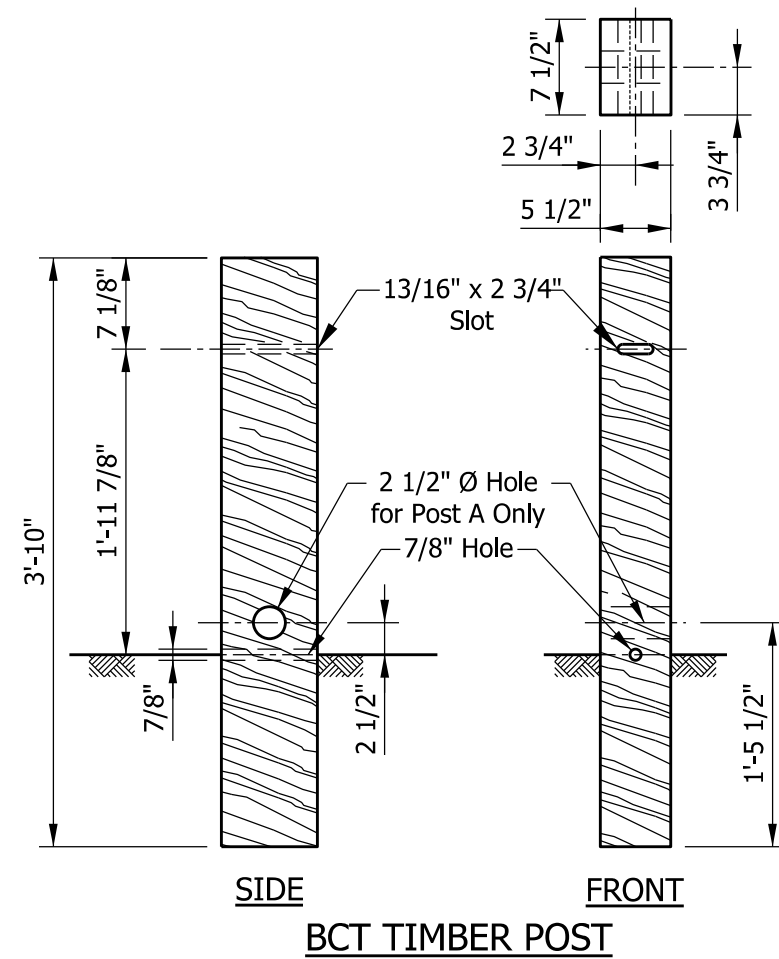
- ① See Standard Drawing E 601-MGSA-21 for BCT post sleeve and BCT bearing plate details.
- ② See Standard Drawing E 601-MGSA-21 for BCT anchor cable assembly details.



INDIANA DEPARTMENT OF TRANSPORTATION											
MIDWEST GUARDRAIL SYSTEM ASSEMBLY, CABLE TERMINAL ANCHOR SYSTEM											
SEPTEMBER 2018											
STANDARD DRAWING NO. E 601-MGSA-18											
	<table style="width: 100%; border-collapse: collapse;"> <tr> <td style="text-align: center;">/s/ Elizabeth W. Phillips</td> <td style="text-align: right;">03/20/18</td> </tr> <tr> <td style="text-align: center;">DESIGN STANDARDS ENGINEER</td> <td style="text-align: right;">DATE</td> </tr> <tr> <td colspan="2" style="padding: 10px 0 10px 0;"> </td> </tr> <tr> <td style="text-align: center;">/s/ John Leckie</td> <td style="text-align: right;">04/25/18</td> </tr> <tr> <td style="text-align: center;">CHIEF ENGINEER</td> <td style="text-align: right;">DATE</td> </tr> </table>	/s/ Elizabeth W. Phillips	03/20/18	DESIGN STANDARDS ENGINEER	DATE			/s/ John Leckie	04/25/18	CHIEF ENGINEER	DATE
/s/ Elizabeth W. Phillips	03/20/18										
DESIGN STANDARDS ENGINEER	DATE										
/s/ John Leckie	04/25/18										
CHIEF ENGINEER	DATE										

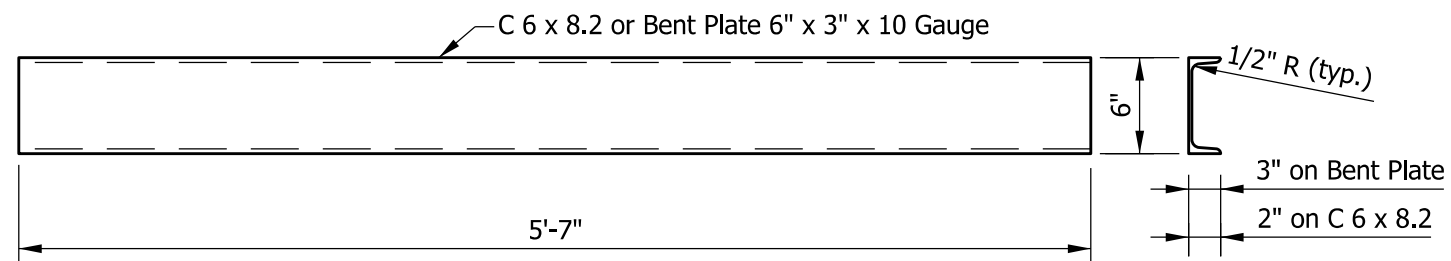


GALVANIZED STEEL
FOUNDATION TUBE

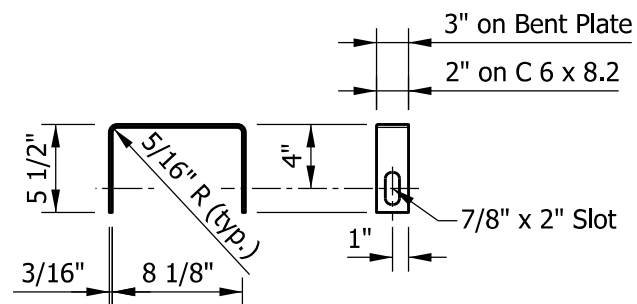


BCT TIMBER POST

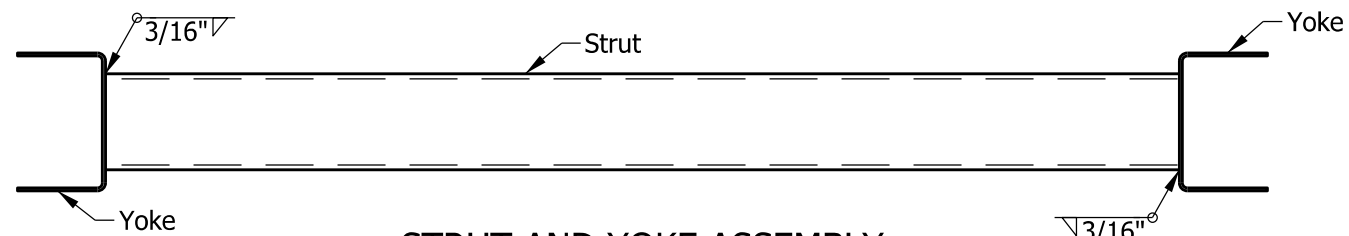
INDIANA DEPARTMENT OF TRANSPORTATION	
MIDWEST GUARDRAIL SYSTEM ASSEMBLY, CABLE TERMINAL ANCHOR SYSTEM	
SEPTEMBER 2018	
STANDARD DRAWING NO.	E 601-MGSA-19
	<i>/s/ Elizabeth W. Phillips</i> 03/20/18 DESIGN STANDARDS ENGINEER DATE
	<i>/s/ John Leckie</i> 04/25/18 CHIEF ENGINEER DATE



STRUT DETAILS



YOKE DETAILS
(2 Required)



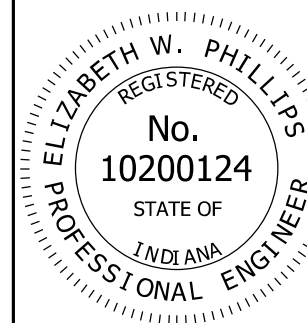
STRUT AND YOKE ASSEMBLY

INDIANA DEPARTMENT OF TRANSPORTATION

MIDWEST GUARDRAIL ASSEMBLY,
CABLE TERMINAL ANCHOR SYSTEM

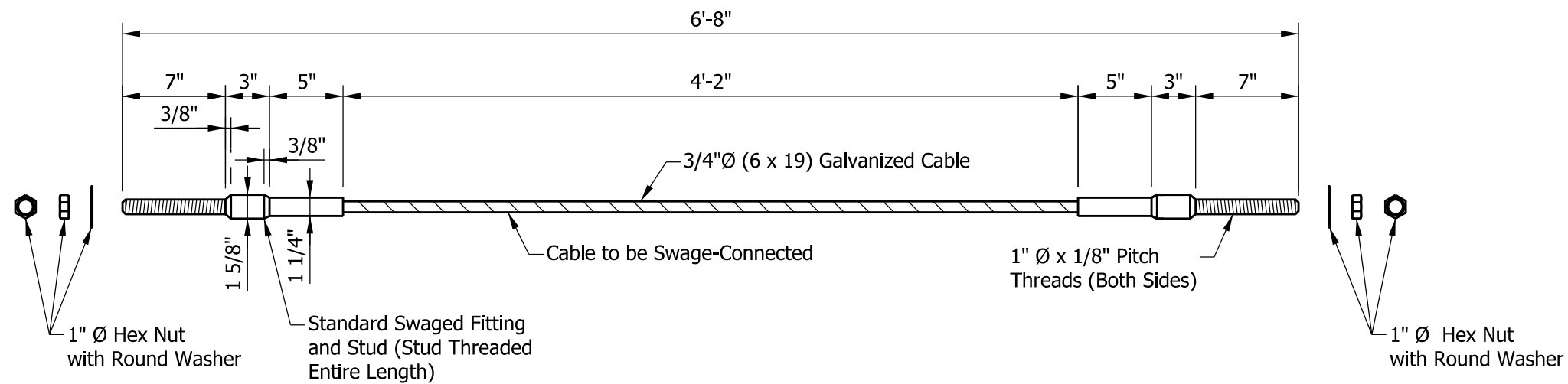
SEPTEMBER 2018

STANDARD DRAWING NO. E 601-MGSA-20

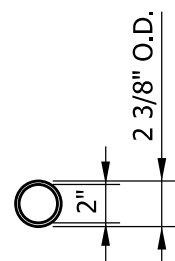


/s/ Elizabeth W. Phillips 03/20/18
DESIGN STANDARDS ENGINEER DATE

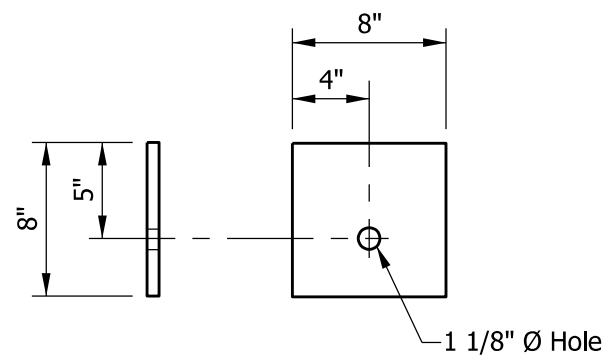
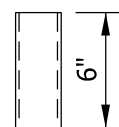
/s/ John Leckie 04/25/18
CHIEF ENGINEER DATE



BCT ANCHOR CABLE ASSEMBLY



BCT POST SLEEVE



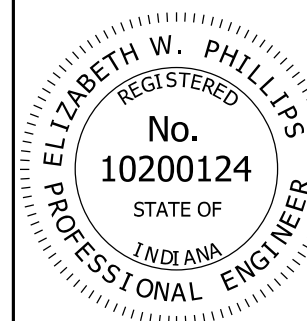
BCT BEARING PLATE

INDIANA DEPARTMENT OF TRANSPORTATION

MIDWEST GUARDRAIL SYSTEM ASSEMBLY,
CABLE TERMINAL ANCHOR SYSTEM

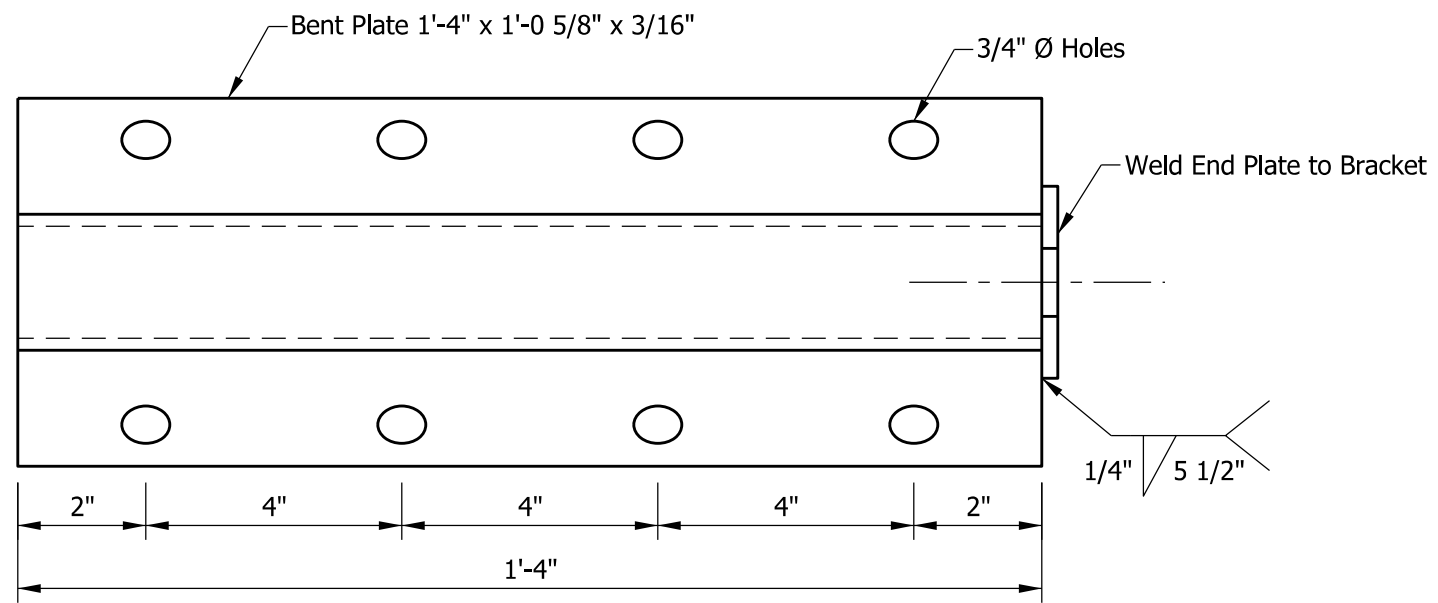
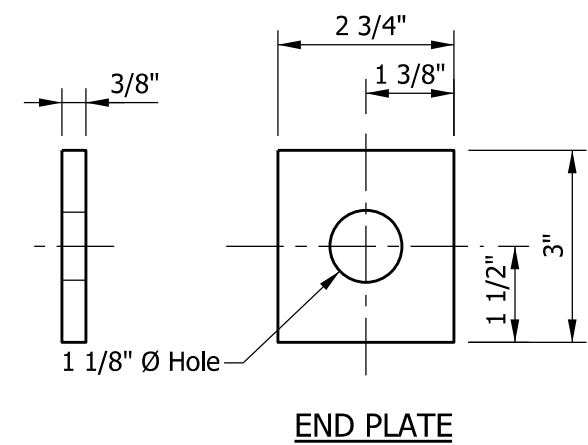
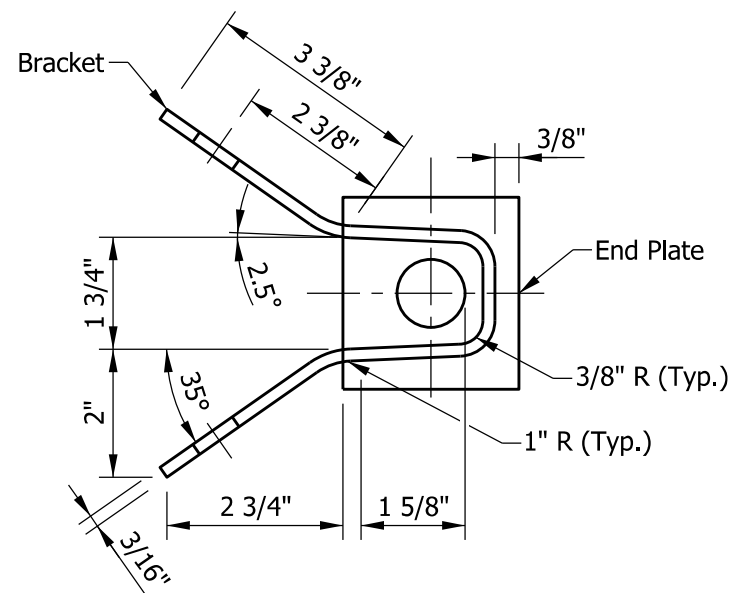
SEPTEMBER 2018

STANDARD DRAWING NO. E601-MGSA-21



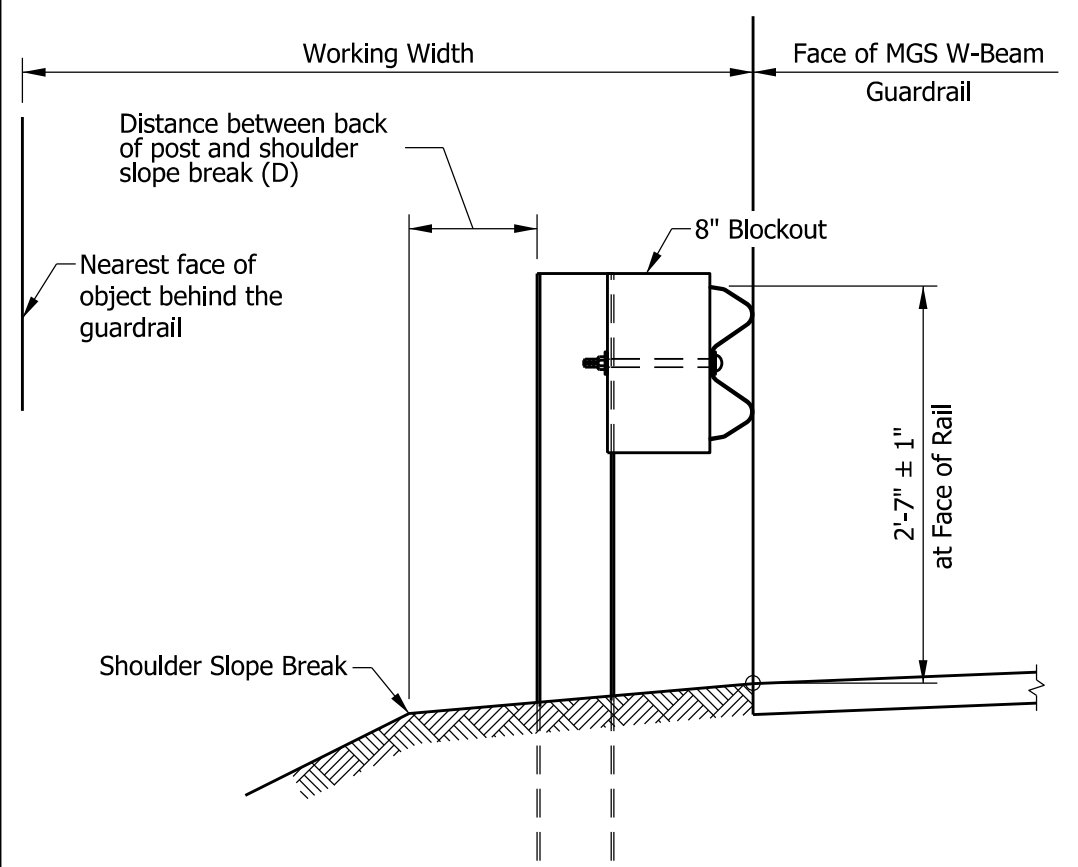
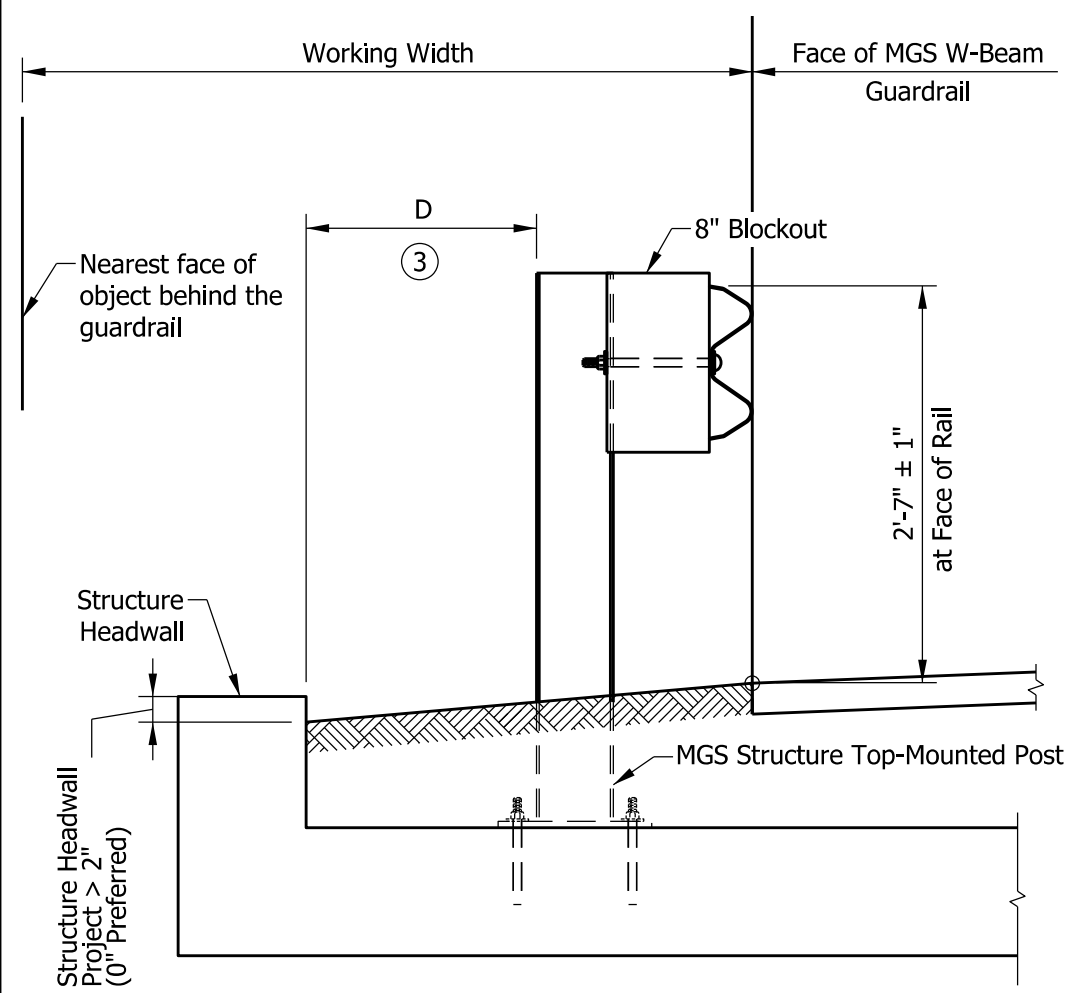
/s/ Elizabeth W. Phillips 03/20/18
DESIGN STANDARDS ENGINEER DATE

/s/ John Leckie 04/25/18
CHIEF ENGINEER DATE



BRACKET
GUARDRAIL ANCHOR BRACKET

INDIANA DEPARTMENT OF TRANSPORTATION	
MIDWEST GUARDRAIL SYSTEM ASSEMBLY, CABLE TERMINAL ANCHOR SYSTEM	
SEPTEMBER 2018	
STANDARD DRAWING NO.	E 601-MGSA-22
	<i>/s/ Elizabeth W. Phillips</i> 03/20/18 DESIGN STANDARDS ENGINEER DATE
	<i>/s/ John Leckje</i> 04/25/18 CHIEF ENGINEER DATE



NOTES:

1. Guardrail placement shall consider working width.
2. Working width assumes an 8-in. blockout. Where a deeper blockout is used, the working width shall be adjusted to include the additional depth.
- ③ Distance between the back of post and inside face of structure headwall.
- ④ See Standard Drawing E 601-MGSA-09 for the distance between front face of MSG Long-Span and inside face of structure headwall.

Guardrail Type	Post Spacing	D	Working Width
MGS W-Beam Standard	6'-3"	2 ft	5.0 ft
MGS W-Beam Standard w/Omitted Post	6'-3"	2 ft	5.0 ft
MGS W-Beam Standard	6'-3"	< 2 ft	6.5 ft
MGS W-Beam Half Post Spacing	3'-1 1/2"	2 ft	4.5 ft
MGS W-Beam Quarter Post Spacing	1'-6 3/4"	2 ft	4.0 ft
MGS Long-Span	Varies	④	8.0 ft
MGS Structure Top-Mount Post	6'-3"	1.5 ft ③	4.2 ft

INDIANA DEPARTMENT OF TRANSPORTATION									
MIDWEST GUARDRAIL SYSTEM ASSEMBLY, WORKING WIDTH									
SEPTEMBER 2018									
STANDARD DRAWING NO.	E 601-MGSA-23								
	<table style="width: 100%; border-collapse: collapse;"> <tr> <td style="text-align: center; border-bottom: 1px solid black;">/s/ Elizabeth W. Phillips</td> <td style="text-align: center; border-bottom: 1px solid black;">03/20/18</td> </tr> <tr> <td style="text-align: center; font-size: small;">DESIGN STANDARDS ENGINEER</td> <td style="text-align: center; font-size: small;">DATE</td> </tr> <tr> <td style="text-align: center; border-bottom: 1px solid black;">/s/ John Leckje</td> <td style="text-align: center; border-bottom: 1px solid black;">04/25/18</td> </tr> <tr> <td style="text-align: center; font-size: small;">CHIEF ENGINEER</td> <td style="text-align: center; font-size: small;">DATE</td> </tr> </table>	/s/ Elizabeth W. Phillips	03/20/18	DESIGN STANDARDS ENGINEER	DATE	/s/ John Leckje	04/25/18	CHIEF ENGINEER	DATE
/s/ Elizabeth W. Phillips	03/20/18								
DESIGN STANDARDS ENGINEER	DATE								
/s/ John Leckje	04/25/18								
CHIEF ENGINEER	DATE								